



Toccata™
Top-mount Bar Sink
K-3349-2

Features

- 18-inch minimum base cabinet width.
- Single bowl.
- 7-inch depth.
- Two faucet holes.
- SilentShield® sound-absorption technology offers quieter performance.
- Includes installation hardware.

Material

- 19-gauge stainless steel.

Installation

- Top-mount

Recommended Products/Accessories

- K-8801 Sink Strainer
- K-8799 Sink Strainer

Optional Products/Accessories

- 1177161 Installation Clip Kit

Included Components

Product consists of:

- 1177160 Hardware Kit, Self-Rimming



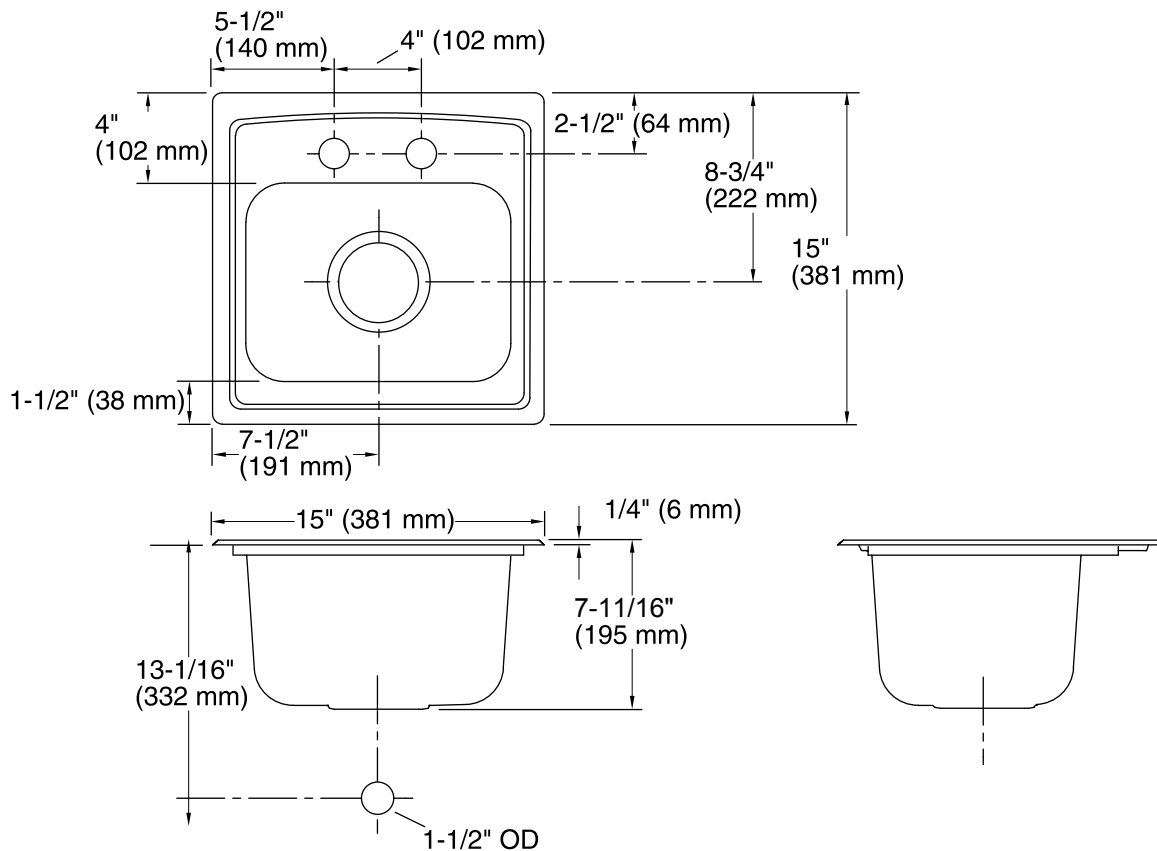
ADA

Codes/Standards

ASME A112.19.3/CSA B45.4
ADA
ICC/ANSI A117.1

**Lifetime Limited Warranty for
KOHLER® Stainless Steel Sinks**

See website for detailed warranty information.



Technical Information

All product dimensions are nominal.

Bowl configuration: Single

Installation: Top-mount

Min. base cabinet width: 18" (457 mm)

Bowl area (Only): Length: 12" (305 mm)
Width: 9-1/2" (241 mm)
Bowl depth: 7" (178 mm)

Number of deck holes: 2

Faucet hole(s): 1-7/16" (37 mm)

Drain hole: 3-5/8" (92 mm)

Notes

Install this product according to the installation instructions.

ADA compliant when installed to the specific requirements of these regulations.

ADA permits a parallel approach to wet bars.