



Toccata™
Top-mount Bar Sink
K-3349-1

Features

- 18-inch minimum base cabinet width.
- Single bowl.
- 7-inch depth.
- Single faucet hole.
- SilentShield® sound-absorption technology offers quieter performance.
- Includes installation hardware.

Material

- 19-gauge stainless steel.

Installation

- Top-mount

Recommended Products/Accessories

- K-8801 Sink Strainer
- K-8799 Sink Strainer

Optional Products/Accessories

- 1177161 Installation Clip Kit

Included Components

Product consists of:

- 1177160 Hardware Kit, Self-Rimming



ADA

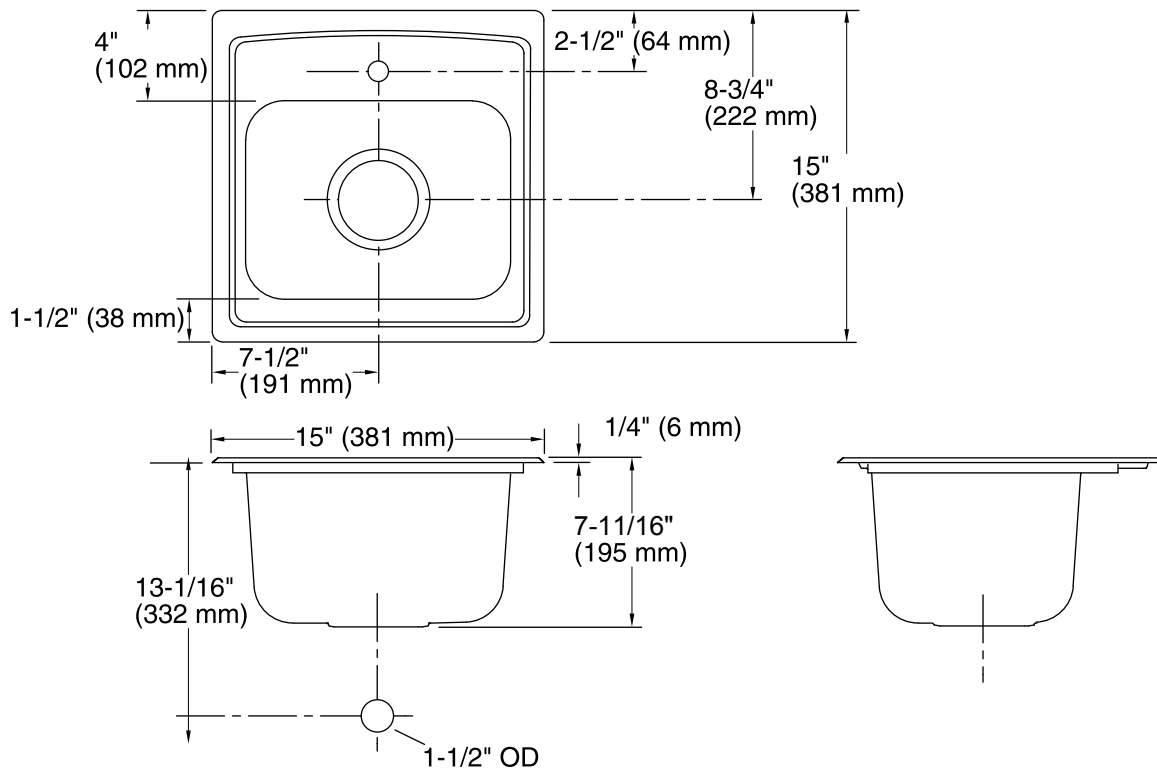
Codes/Standards

ASME A112.19.3/CSA B45.4
ADA
ICC/ANSI A117.1

Lifetime Limited Warranty for

KOHLER® Stainless Steel Sinks

See website for detailed warranty information.



Technical Information

All product dimensions are nominal.

Bowl configuration:	Single
Installation:	Top-mount
Cutout:	Top-mount, 14-1/2" x 14-1/2" (368 mm x 368 mm) with 1/2" (13 mm) radius corners
Min. base cabinet width:	18" (457 mm)
Bowl area (Only):	Length: 12" (305 mm) Width: 9-1/2" (241 mm) Bowl depth: 7" (178 mm)
Number of deck holes:	1
Faucet hole(s):	1-7/16" (37 mm)
Drain hole:	3-5/8" (92 mm)

Notes

Install this product according to the installation instructions.

ADA compliant when installed to the specific requirements of these regulations.

ADA permits a parallel approach to wet bars.