



Toccata™
Top-mount Kitchen Sink
K-3348-4

Features

- 27-inch minimum base cabinet width.
- Single bowl.
- 7-inch depth.
- Three faucet holes with one accessory hole to the right.
- SilentShield® sound-absorption technology offers quieter performance.
- Includes installation hardware.

Material

- 18-gauge stainless steel.

Installation

- Top-mount

Recommended Products/Accessories

- K-8801 Sink Strainer
- K-8799 Sink Strainer

Optional Products/Accessories

- 1177161 Installation Clip Kit

Included Components

Product consists of:

- 1177160 Hardware Kit, Self-Rimming

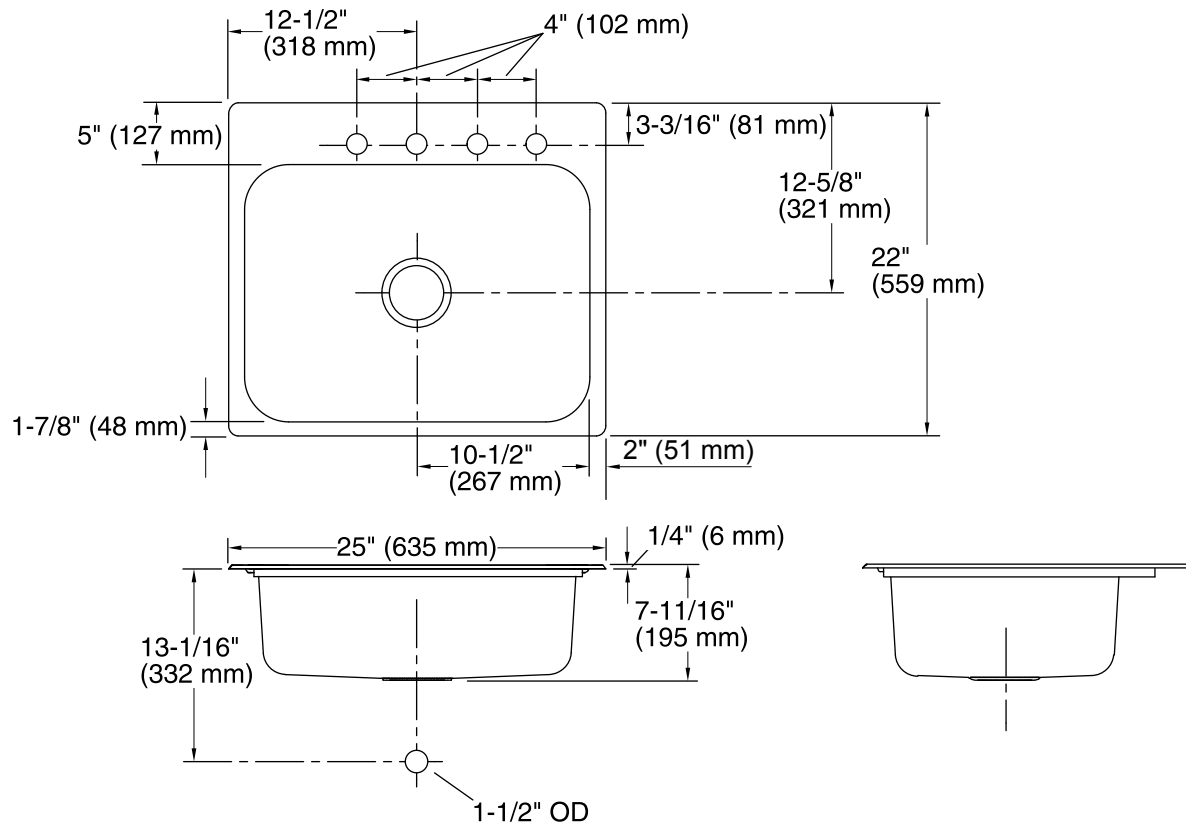


Codes/Standards

ASME A112.19.3/CSA B45.4

**Lifetime Limited Warranty for
KOHLER® Stainless Steel Sinks**

See website for detailed warranty information.



Technical Information

All product dimensions are nominal.

Bowl configuration:	Single
Installation:	Top-mount
Cutout:	Top-mount, 24-1/2" x 21-1/2" (622 mm x 546 mm) with 1/2" (13 mm) radius corners
Min. base cabinet width:	27" (686 mm)
Bowl area (Only):	Length: 21" (533 mm) Width: 15-1/4" (387 mm) Bowl depth: 8" (203 mm)
Number of deck holes:	4
Faucet hole spacing:	4" (102 mm)
Faucet hole(s):	1-7/16" (37 mm)
Drain hole:	3-5/8" (92 mm)

Notes

Install this product according to the installation instructions.

Installer must supply mounting hardware for countertops of 2-1/2" (64 mm) thickness or less. Refer to installation kit 1177161.