

### Features

- 36-inch minimum base cabinet width.
- Large/small bowls with high/low design.
- 4-1/8-inch left depth and 7-inch right depth.
- Three faucet holes on left side.
- Offset drain increases workspace in the sink and storage space underneath.
- SilentShield® sound-absorption technology offers quieter performance.
- Includes installation hardware.

### Material

- 19-gauge stainless steel.

### Installation

- Top-mount

### Recommended Products/Accessories

- K-6377 Sponge Caddy
- K-6378 Kitchen Brush Caddy
- K-6379 Kitchen Squeegee
- K-6382 Disinfecting Wipes Dispenser
- K-6383 Soap Dispenser
- K-8618 Paper Towel Holder
- K-8619 Flexible Kitchen Mat
- K-8801 Sink Strainer
- K-8799 Sink Strainer
- K-8624 Dish Scraper

### Optional Products/Accessories

- K-6139 Sponge Caddy
- 1177161 Installation Clip Kit

### Included Components

Product consists of:

- 1177160 Hardware Kit, Self-Rimming

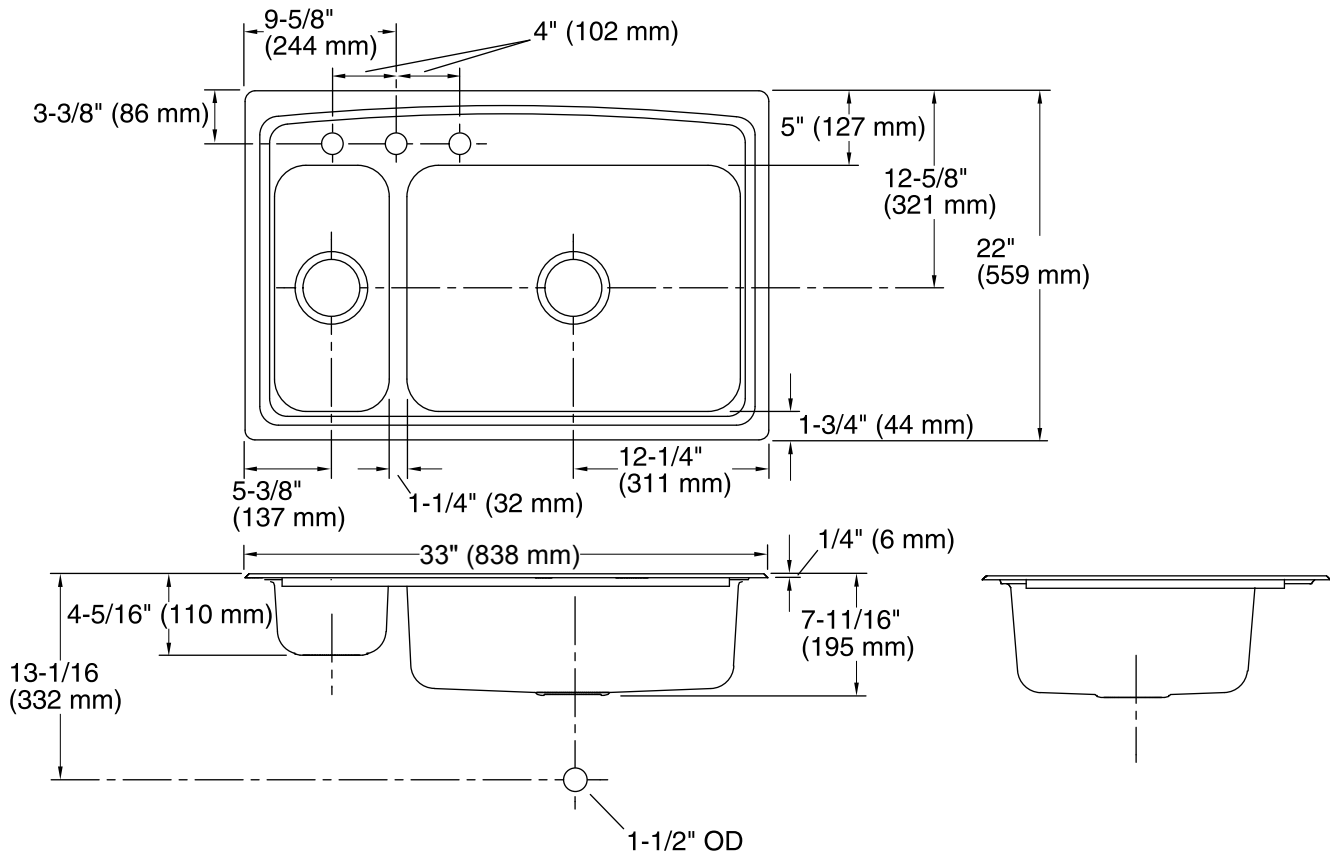


### Codes/Standards

ASME A112.19.3/CSA B45.4

### Lifetime Limited Warranty for KOHLER® Stainless Steel Sinks

See website for detailed warranty information.



## Technical Information

All product dimensions are nominal.

Bowl configuration:	High-low
Installation:	Top-mount
Cutout:	Top-mount, 32-1/2" x 21-1/2" (826 mm x 546 mm) with 1/2" (13 mm) radius corners
Min. base cabinet width:	36" (914 mm)
Bowl area (Right):	Length: 21" (533 mm) Width: 15-1/4" (387 mm) Bowl depth: 7" (178 mm)
Bowl area (Left):	Length: 7-1/4" (184 mm) Width: 15-1/4" (387 mm) Bowl depth: 4-1/8" (105 mm)
Number of deck holes:	3
Faucet hole(s):	1-7/16" (37 mm)
Drain hole:	3-5/8" (92 mm)

## Notes

Install this product according to the installation instructions.