



# Anthem™ EvoCycle™ | K-33473

60" x 32" alcove shower base, left drain

## Features

- Three-sided integral flange
- Requires KOHLER® Anthem™ EvoCycle™ smart shower system, showerhead, handshower, and shower hose (each sold separately)



## Available Colors/Finishes

*Color tiles intended for reference only.*

■ 0 White



1-800-4KOHLER (1-800-456-4537)  
Kohler Co. reserves the right to make revisions without notice to product specifications.  
For the most current specification sheet, go to [www.kohler.com](http://www.kohler.com) USA or [www.kohler.ca](http://www.kohler.ca) Canada.  
3-27-2026 16:13 - US-CA

THE BOLD LOOK  
OF **KOHLER**®

---

## Codes/Standards

CSA B45.5/IAPMO Z124

---

## Technical Information

*All product dimensions are nominal.*

Drain Location:	Left
Drain Hole Diameter:	3-3/8" (86 mm)
Threshold Height:	5-7/8 (148.59 mm)
Weight:	37.8 lbs (17.1 kg)

---

## Material

- Acrylic
- 

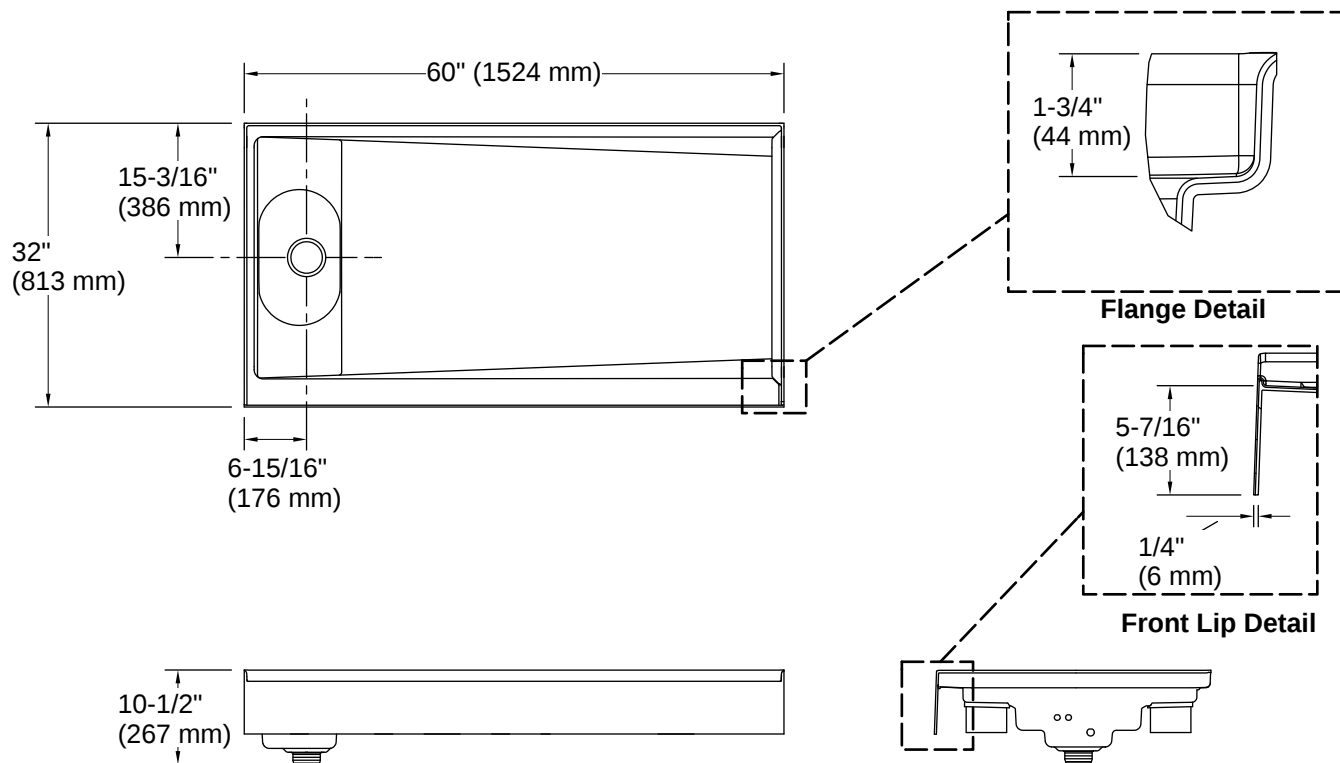
## Warranty

*See website for detailed warranty information.*

KOHLER® Plastic Baths and Shower Bases Lifetime Limited Warranty



1-800-4KOHLER (1-800-456-4537)  
Kohler Co. reserves the right to make revisions without notice to product specifications.  
For the most current specification sheet, go to [www.kohler.com](http://www.kohler.com) USA or [www.kohler.ca](http://www.kohler.ca) Canada.  
3-27-2026 16:13 - US-CA



## Installation

- Alcove
- Left drain
- Requires minimum of 4-1/2" (114 mm) clearance below subfloor
- Requires 8-1/2" x 10-1/2" (216 x 267 mm) sump cutout
- For residential use only

## Installation Notes

*Install this product according to the installation instructions.*

Measure your actual product for rough-in details.

