



# Anthem™ EvoCycle™

60" x 42" alcove shower base, left drain  
K-33471

## Features

- Three-sided integral flange
- Requires KOHLER® Anthem™ EvoCycle™ smart shower system, showerhead, handshower, and shower hose (each sold separately)

## Material

- Acrylic

## Installation

- Alcove
- Left drain
- Requires minimum of 4-1/2" (114 mm) clearance below subfloor
- Requires 8-1/2" x 10-1/2" (216 x 267 mm) sump cutout
- For residential use only

## Required Products/Accessories

K-33481 Smart shower system

or

K-33482 Smart shower system



## Codes/Standards

CSA B45.5/IAPMO Z124


## KOHLER® Plastic Baths and Shower Bases Lifetime Limited Warranty

See website for detailed warranty information.

## Available Colors/Finishes

*Color tiles intended for reference only.*

### Color Code Description

	0	White
---	---	-------

1-800-4KOHLER (1-800-456-4537)

Kohler Co. reserves the right to make revisions without notice to product specifications.

For the most current Specification Sheet, go to [www.kohler.com](http://www.kohler.com) USA or [www.kohler.ca](http://www.kohler.ca) Canada

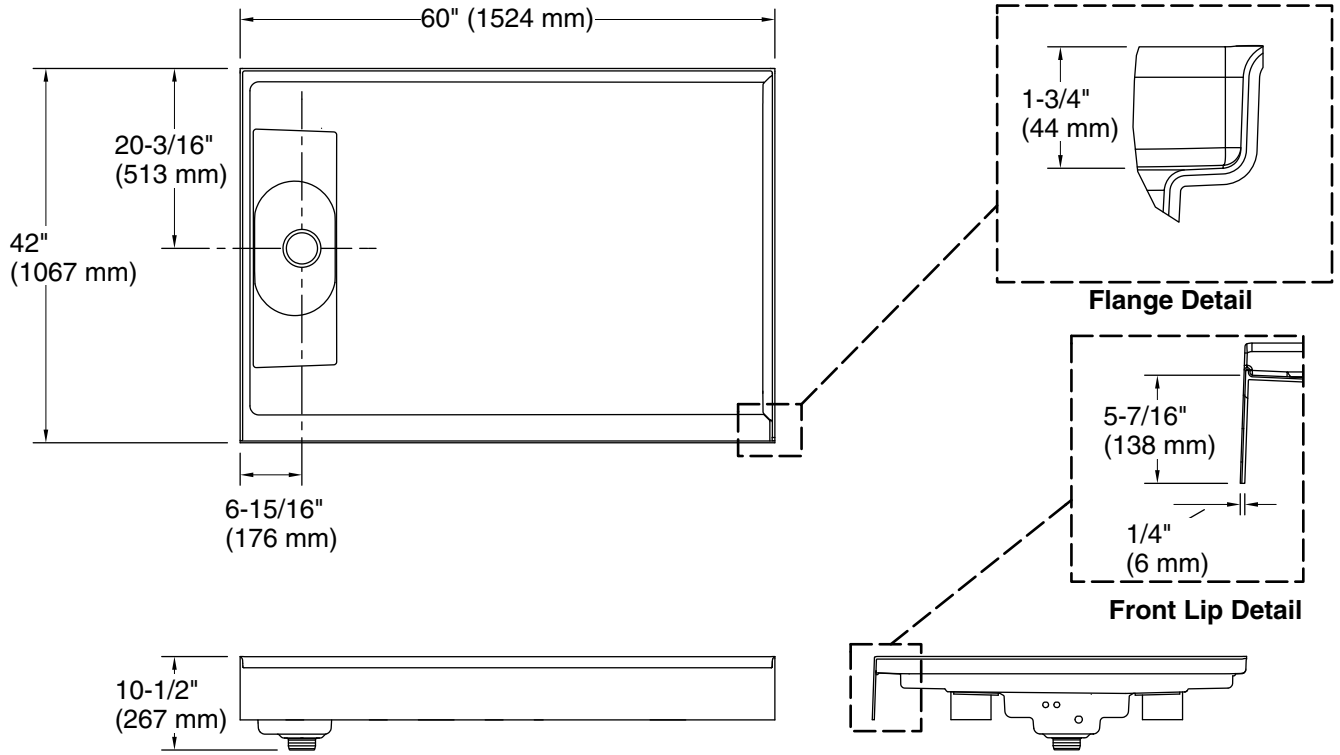
2-16-2026 10:49 - US

THE BOLD LOOK  
OF **KOHLER**®



# Anthem™ EvoCycle™

60" x 42" alcove shower base, left drain  
K-33471



### Technical Information

All product dimensions are nominal.

Drain location: Left

Weight: 55.4 lbs (25.1 kg)

### Notes

Measure your actual product for rough-in details.

Install this product according to the installation instructions.