



Toccata™
Top-mount Kitchen Sink
K-3346-3

Features

- 36-inch minimum base cabinet width.
- Double equal bowls.
- 8-inch depth.
- Three faucet holes.
- SilentShield® sound-absorption technology offers quieter performance.
- Includes installation hardware.

Material

- 19-gauge stainless steel.

Installation

- Top-mount

Recommended Products/Accessories

- K-6401 Sink Rack
- K-6377 Sponge Caddy
- K-6378 Kitchen Brush Caddy
- K-6379 Kitchen Squeegee
- K-6382 Disinfecting Wipes Dispenser
- K-6383 Soap Dispenser
- K-8618 Paper Towel Holder
- K-8801 Sink Strainer
- K-8799 Sink Strainer
- K-8619 Flexible Kitchen Mat

Optional Products/Accessories

- K-3294 Cutting Board
- 1177161 Installation Clip Kit

Included Components

Product consists of:

- 1177160 Hardware Kit, Self-Rimming

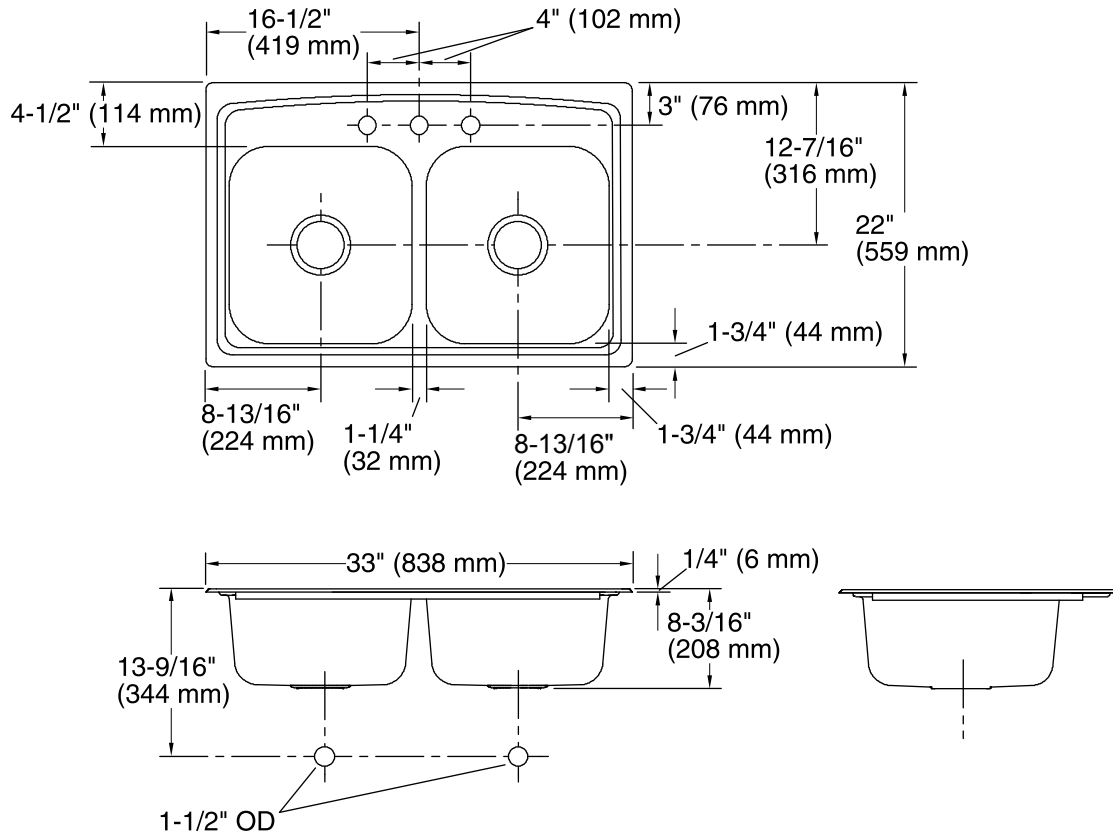


Codes/Standards

ASME A112.19.3/CSA B45.4

**Lifetime Limited Warranty for
KOHLER® Stainless Steel Sinks**

See website for detailed warranty information.



Technical Information

All product dimensions are nominal.

- Bowl configuration: Double equal
- Installation: Top-mount
- Cutout: Top-mount, 32-1/2" x 21-1/2" (826 mm x 546 mm) with 1/2" (13 mm) radius corners
- Min. base cabinet width: 36" (914 mm)
- Bowl area (Left): Length: 14-3/16" (360 mm)
Width: 15-3/4" (400 mm)
Bowl depth: 8" (203 mm)
Water depth: 8" (203 mm)
- Bowl area (Right): Length: 14-3/16" (360 mm)
Width: 15-3/4" (400 mm)
Bowl depth: 8" (203 mm)
Water depth: 8" (203 mm)
- Number of deck holes: 3
- Faucet hole(s): 1-7/16" (37 mm)
- Drain hole: 3-5/8" (92 mm)

Notes

Install this product according to the installation instructions.