



**Strive®**  
35-1/2" undermount double-bowl farmhouse kitchen  
sink with accessories  
**K-33159**

### Features

- Fits minimum 36" (914 mm) apron sink base cabinet
- Double-equal bowls
- 9-1/8" (232 mm) depth provides generous workspace
- Rear drains increase workspace in the sink and storage space underneath
- Box includes: sink, sink rack, utility rack, dishcloth bar, installation hardware, cutout template
- Rounded 3/8" (10 mm) corners are easy to clean
- SilentShield® sound-absorption technology offers quieter performance
- Sink drain with strainer sold separately
- Self-Trimming® apron overlaps cabinet face for easy installation and beautiful results

### Material

- KOHLER stainless steel sinks resist corrosion and tarnishing
- Premium 16-gauge stainless steel

### Installation

- Undermount

### Optional Products/Accessories

- K-8801 Sink drain and strainer with tailpiece
- K-11352 Disposal Flange with Stopper
- K-23729 Stainless steel cleaner

### Included Components

- K-6432 Dishcloth bar
- K-6434 Saddle Utility Rack
- K-6475 Sink Rack

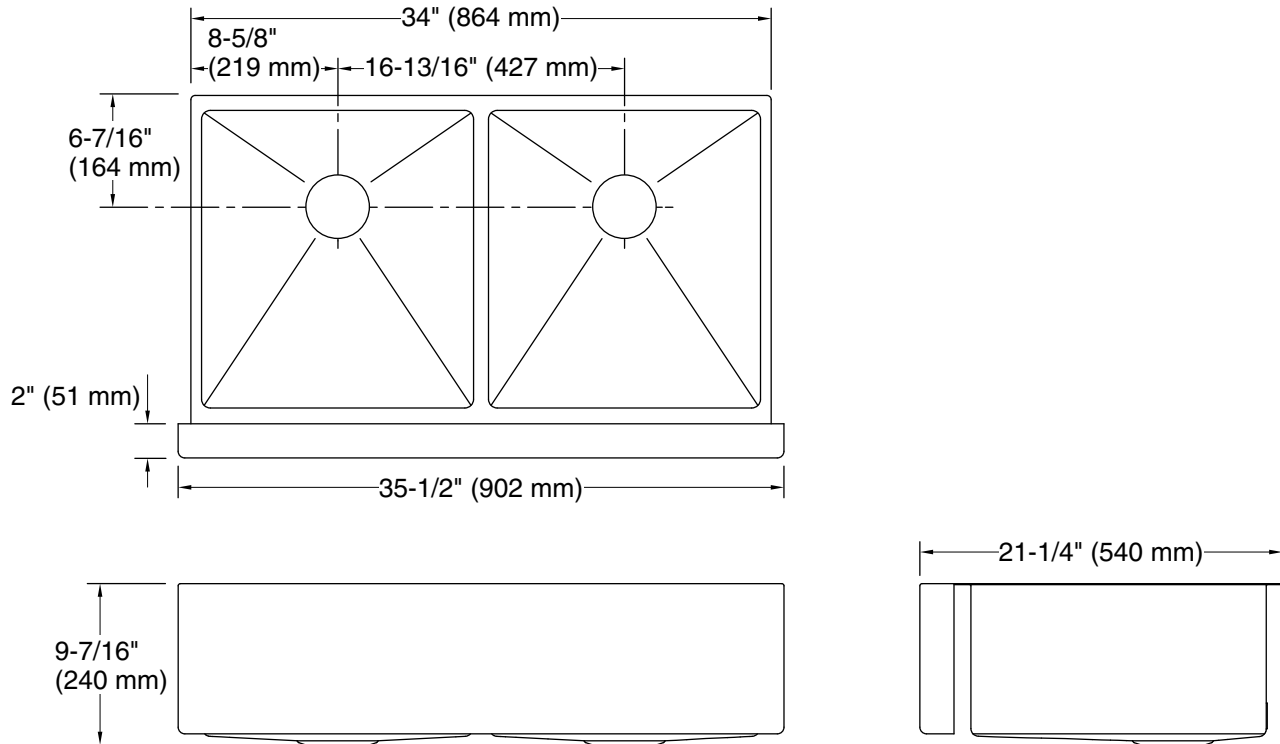


### Codes/Standards

ASME A112.19.3/CSA B45.4

### KOHLER® Stainless Steel Sinks Lifetime Limited Warranty

See website for detailed warranty information.



## Technical Information

All product dimensions are nominal.

Bowl configuration: Double equal

Min. base cabinet width: 36" (914 mm)

Bowl area (Double Equal Basins):  
 Length: 15-11/16" (399 mm)  
 Width: 17-3/16" (437 mm)  
 Bowl depth: 9-1/8" (232 mm)  
 Water depth: 9-1/8" (232 mm)

Bowl area (Double Equal Basins):  
 Length: 15-11/16" (399 mm)  
 Width: 17-3/16" (437 mm)  
 Bowl depth: 9-1/8" (232 mm)  
 Water depth: 9-1/8" (232 mm)

Drain hole: 3-3/4" (94 mm)

Template: Undermount, 1224194-7, required, included

## Notes

Install this product according to the installation instructions.

**IMPORTANT!** The distance from the top edge of the cabinet to the top of the cabinet door must be at least 8-13/16" (224 mm) to install this sink.

**NOTICE:** Countertop manufacturer or cutter must use the cut-out template provided with the product, or a current one provided by Kohler Co. (call 1-800-4KOHLER). Kohler Co. is not responsible for cutout errors when the incorrect cut-out template is used.