

#### Features

- 30" (762 mm) minimum base cabinet width
- Single bowl
- 5-1/2" (139 mm) bowl depth for easy accessibility
- Bowl slopes toward drain to minimize water pooling
- Rear drain increases workspace in the sink and allows for more storage space underneath the sink
- Box includes: Sink, sink rack, utility rack, installation hardware, cutout template
- Includes installation hardware
- Rounded 3/8" (10 mm) corners are easy to clean
- SilentShield® sound-absorption technology offers quieter performance
- Sink drains with strainers sold separately

#### Material

- Premium 16-gauge stainless steel
- KOHLER stainless steel sinks resist corrosion and tarnishing

#### Installation

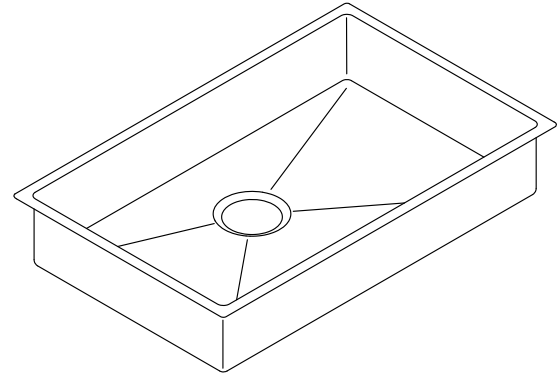
- Undermount

#### Optional Products/Accessories

- K-8801 Sink drain and strainer with tailpiece
- K-11352 Disposal Flange with Stopper
- K-23729 Stainless steel cleaner
- K-35491 Marble serving tray

#### Included Components

- K-5408 Sink rack for K-5409 Strive® kitchen sink
- K-6429 Utility Rack



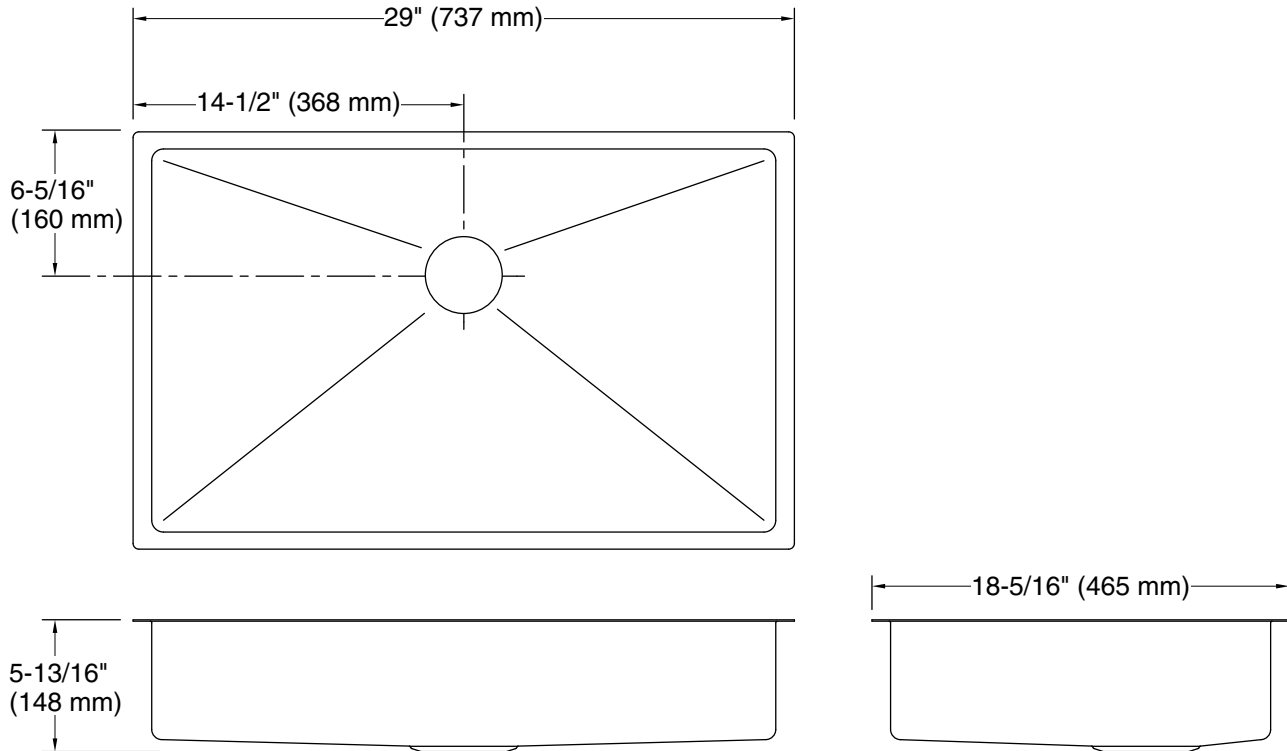
ADA

#### Codes/Standards

ASME A112.19.3/CSA B45.4  
ADA  
ICC/ANSI A117.1

#### KOHLER® Stainless Steel Sinks Lifetime Limited Warranty

See website for detailed warranty information.



#### Technical Information

All product dimensions are nominal.

Bowl configuration:	Single
Min. base cabinet width:	30" (762 mm)
Bowl area (Basin #1):	Length: 27-1/4" (692 mm) Width: 16-9/16" (420 mm) Bowl depth: 5-1/2" (139 mm) Water depth: 5-1/2" (139 mm)
Drain hole:	3-3/4" (94 mm)
Template:	Undermount, 1220866-7, required, included

#### Notes

Install this product according to the installation instructions.

**NOTICE:** Countertop manufacturer or cutter must use the cut-out template provided with the product, or a current one provided by Kohler Co. (call 1-800-4KOHLER). Kohler Co. is not responsible for cutout errors when the incorrect cut-out template is used.

ADA compliant when installed to the specific requirements of these regulations.