

Features

- 33" (838 mm) minimum base cabinet width
- Double-equal bowls
- 9" (229 mm) depth provides generous workspace
- Bowl slopes toward drain to minimize water pooling
- Rear drain increases workspace in the sink and allows for more storage space underneath the sink
- Box includes: sink, two sink racks, dishcloth bar, installation hardware, cutout template
- Rounded 3/8" (10 mm) corners are easy to clean
- SilentShield® sound-absorption technology offers quieter performance
- Sink drain with strainer sold separately

Material

- Premium 16-gauge stainless steel
- KOHLER stainless steel sinks resist corrosion and tarnishing

Installation

- Undermount

Optional Products/Accessories

- K-8801 Sink drain and strainer with tailpiece
- K-23729 Stainless steel cleaner
- K-11352 Disposal Flange with Stopper
- K-35491 Marble serving tray
- K-6429 Utility Rack

Included Components

- K-23992 Sink rack for K-80167
- K-6432 Dishcloth bar
- K-6434 Saddle Utility Rack

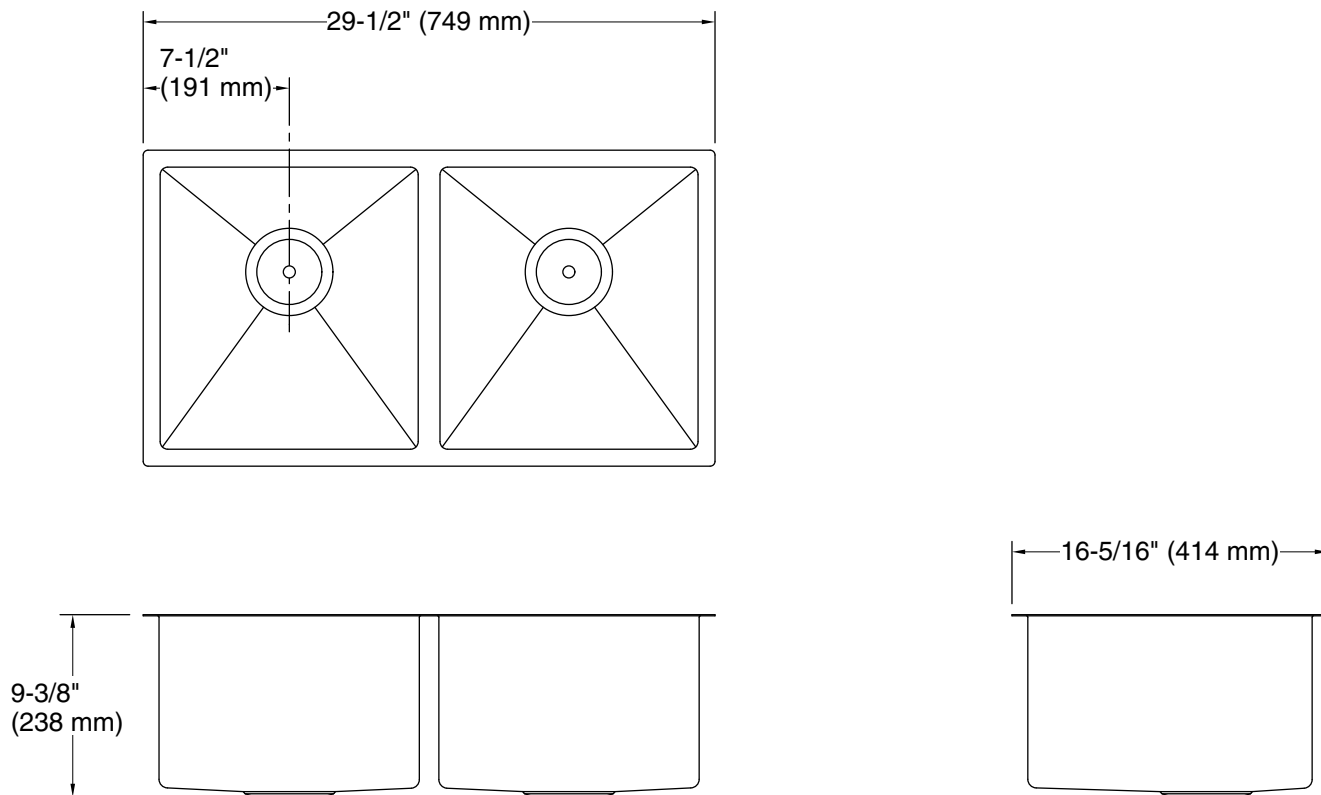


Codes/Standards

ASME A112.19.3/CSA B45.4

KOHLER® Stainless Steel Sinks Lifetime Limited Warranty

See website for detailed warranty information.



Technical Information

All product dimensions are nominal.

Bowl configuration: Double equal

Min. base cabinet width: 33" (838 mm)

Bowl area (Left): Length: 13-5/16" (338 mm)
 Width: 14-9/16" (370 mm)
 Bowl depth: 9-1/16" (230 mm)
 Water depth: 9-1/16" (230 mm)

Bowl area (Right): Length: 13-5/16" (338 mm)
 Width: 14-9/16" (370 mm)
 Bowl depth: 9-1/16" (230 mm)
 Water depth: 9-1/16" (230 mm)

Drain hole: 3-3/4" (94 mm)

Template: Undermount, 1533254-7, required, included

Notes

Install this product according to the installation instructions.

Install this product according to the installation guide.

NOTICE: Countertop manufacturer or cutter must use the cut-out template provided with the product, or a current one provided by Kohler Co. (call 1-800-4KOHLER). Kohler Co. is not responsible for cutout errors when the incorrect cut-out template is used.