

Features

- Washout urinal
- 1/2" (12.7 mm) rear spud
- 0.5 gpf (1.9 lpf)
- Delivers dependable water-saving performance and added hygiene
- Patented back wall geometry and extended rim limit splash-back for a cleaner user experience
- Battery-operated touchless electronic flush valve powered by four AA alkaline batteries (included)
- Includes tank cover and tank cover locks
- This product can help a building earn Water Efficiency points in LEED® Green Building Rating System

Material

- Vitreous china

Installation

- Wall-hung



ADA

CSA B651

OBC

Codes/Standards




ASME A112.19.2/CSA B45.1
DOE - Energy Policy Act 1992
EPA WaterSense®
ADA
ICC/ANSI A117.1
CSA B651
OBC

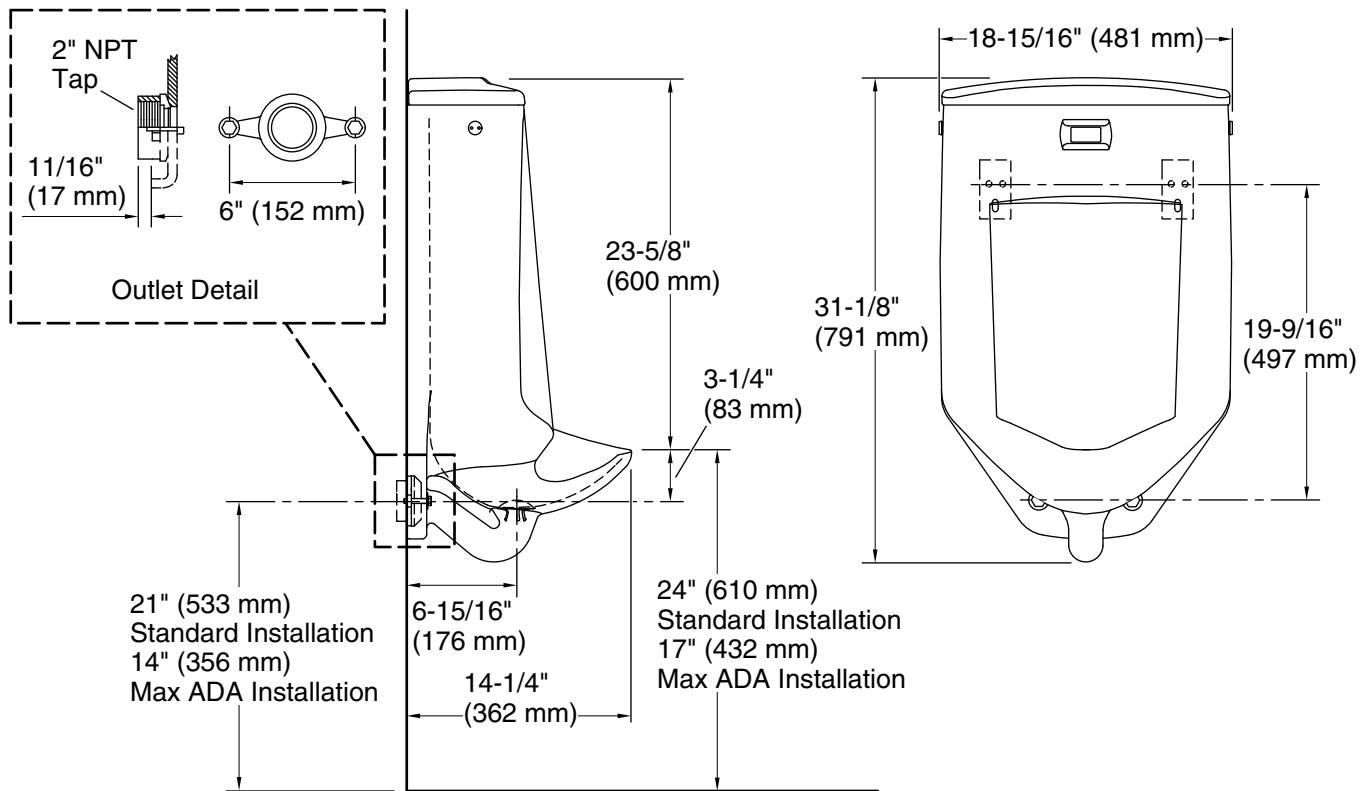
KOHLER® One-Year Limited Warranty

See website for detailed warranty information.

Available Colors/Finishes

Color tiles intended for reference only.

Color	Code	Description
	0	White
	96	Biscuit
	7	Black Black™



Technical Information

All product dimensions are nominal.
 Max. Water per Flush: 0.5 gal (1.9 L)

Notes

Install this product according to the installation guide.
 Refer to manufacturer's instructions and local codes for flushometer requirements.
 ADA, OBC, CSA B651 compliant when installed to the specific requirements of these regulations.