

Features

- 36-inch minimum base cabinet width.
- Double equal bowls.
- 8-inch depth.
- Three faucet holes with one accessory hole to the right.
- SilentShield® sound-absorption technology offers quieter performance.

Material

- 20-gauge stainless steel.

Installation

- Top-mount

Recommended Products/Accessories

K-6401 Sink Rack
K-6377 Sponge Caddy
K-6378 Kitchen Brush Caddy
K-6379 Kitchen Squeegee
K-6382 Disinfecting Wipes Dispenser
K-6383 Soap Dispenser
K-8618 Paper Towel Holder
K-8801 Sink Strainer
K-8799 Sink Strainer
K-8619 Flexible Kitchen Mat

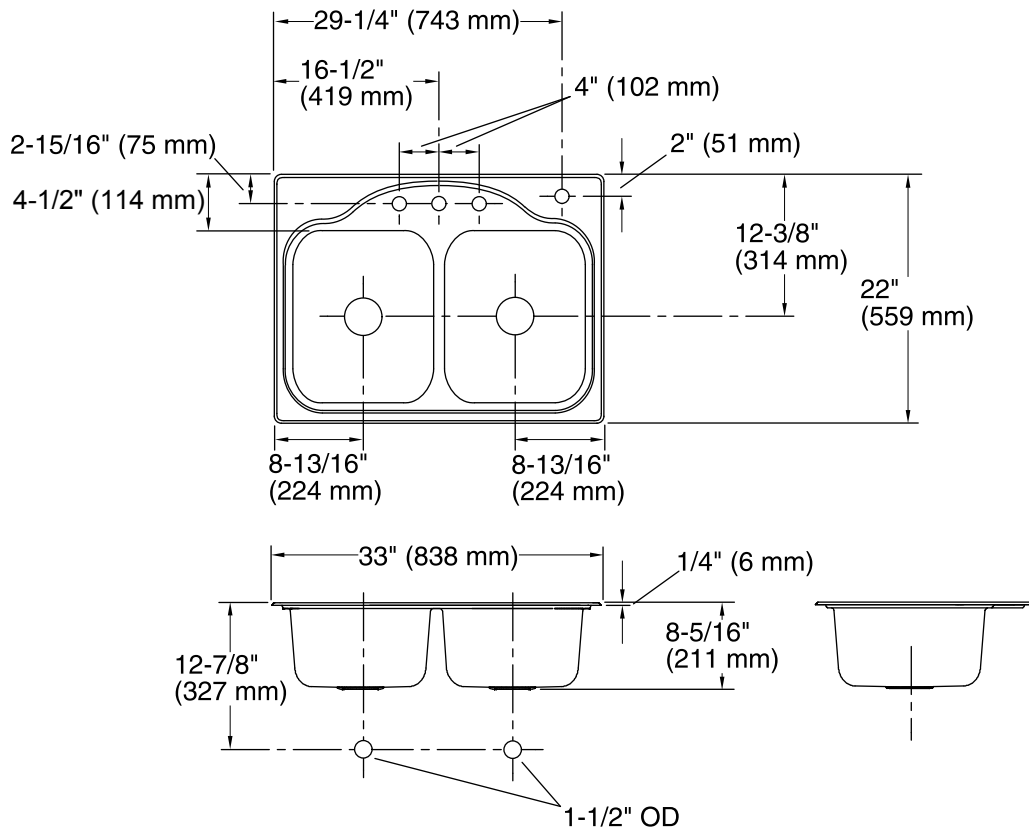


Codes/Standards

ASME A112.19.3/CSA B45.4

Lifetime Limited Warranty for KOHLER® Stainless Steel Sinks

See website for detailed warranty information.



Technical Information

All product dimensions are nominal.

- Bowl configuration: Double equal
- Installation: Top-mount
- Cutout: Top-mount, 32-1/2" x 21-1/2" (826 mm x 546 mm) with 1-1/2" (38 mm) radius corners
- Min. base cabinet width: 36" (914 mm)
- Bowl area (Left):
 - Length: 14-1/8" (359 mm)
 - Width: 15-3/4" (400 mm)
 - Bowl depth: 8-5/16" (211 mm)
 - Water depth: 8" (203 mm)
- Bowl area (Right):
 - Length: 14-1/8" (359 mm)
 - Width: 15-3/4" (400 mm)
 - Bowl depth: 8-5/16" (211 mm)
 - Water depth: 8" (203 mm)
- Number of deck holes: 4
- Faucet hole spacing: 4" (102 mm)
- Faucet hole(s): 1-7/16" (37 mm)
- Drain hole: 3-3/4" (95 mm)

Notes

Install this product according to the installation instructions.