

Features

- Freestanding design creates a striking focal point in your bathing area
- Oval basin creates a spacious bathing experience
- Integral lumbar support on both ends
- Slotted overflow allows for deep soaking
- 12-1/16" (306 mm) deep-soaking depth provides a luxurious bathing experience
- Safeguard® slip-resistant surface provides excellent traction underfoot
- Center drain
- Drain and integral overflow preinstalled to reduce installation time
- Sleek straight shroud design is easy to clean and lends itself to both transitional and contemporary bathrooms
- Requires K-36361 Volute bath drain trim (sold separately)

Material

- KOHLER® enameled cast iron bath
- Black acrylic shroud
- Brass drain

Installation

- Freestanding

Required Products/Accessories

For freestanding installation
K-36361 Bath drain trim



Codes/Standards

ASME A112.19.1/CSA B45.2

KOHLER® Enameled Cast Iron Bath and Shower Base Lifetime Limited Warranty

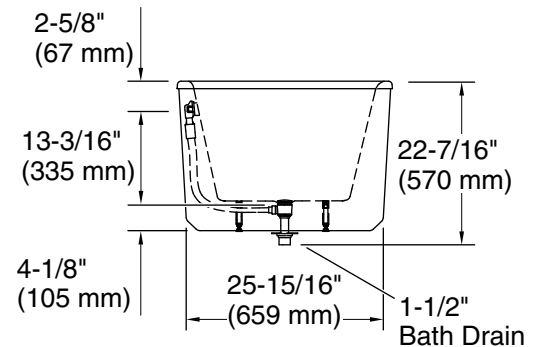
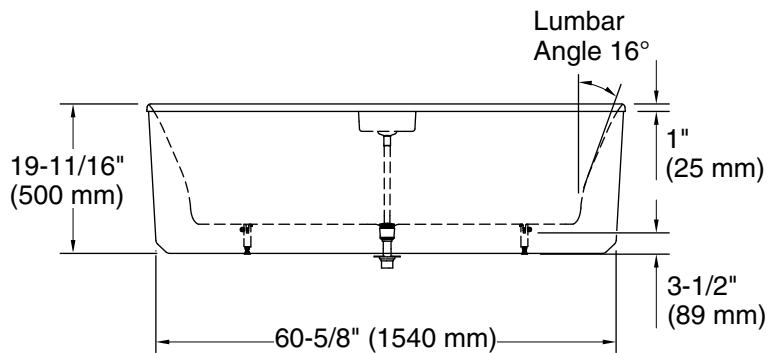
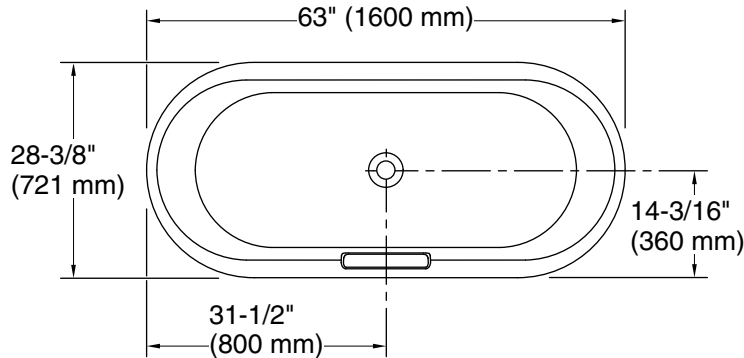
See website for detailed warranty information.

Available Colors/Finishes

Color tiles intended for reference only.

Color	Code	Description
-------	------	-------------

	0	White
---	---	-------



Technical Information

All product dimensions are nominal.

Drain location:	Center
Basin area, bottom:	50-1/4" x 20-3/8" (1277 mm x 518 mm)
Basin area, top:	60-1/4" x 23-11/16" (1531 mm x 602 mm)
Weight:	333 lbs (151 kg)
Minimum floor load:	57.5 lbs/ft ² (280.7 kg/m ²)
Water depth:	12-1/16" (306 mm)
Water capacity:	42.45 gal (160.7 L)

Notes

Measure your actual product for rough-in details.

Install this product according to the installation instructions.

The hot water supply should be 70% of the capacity of the bath or greater. Installations will vary.

Install this product according to the installation instructions.