

## Features

- Commercial elongated open-front seat without lid
- Ergonomic contour adds additional comfort
- Integrated lift tab on seat edge offers a more hygienic solution for raising and lowering
- Check hinge prevents seat from leaning back against tank or flushometer

## Material

- Polypropylene



## Codes/Standards

None Applicable


## KOHLER® One-Year Limited Warranty

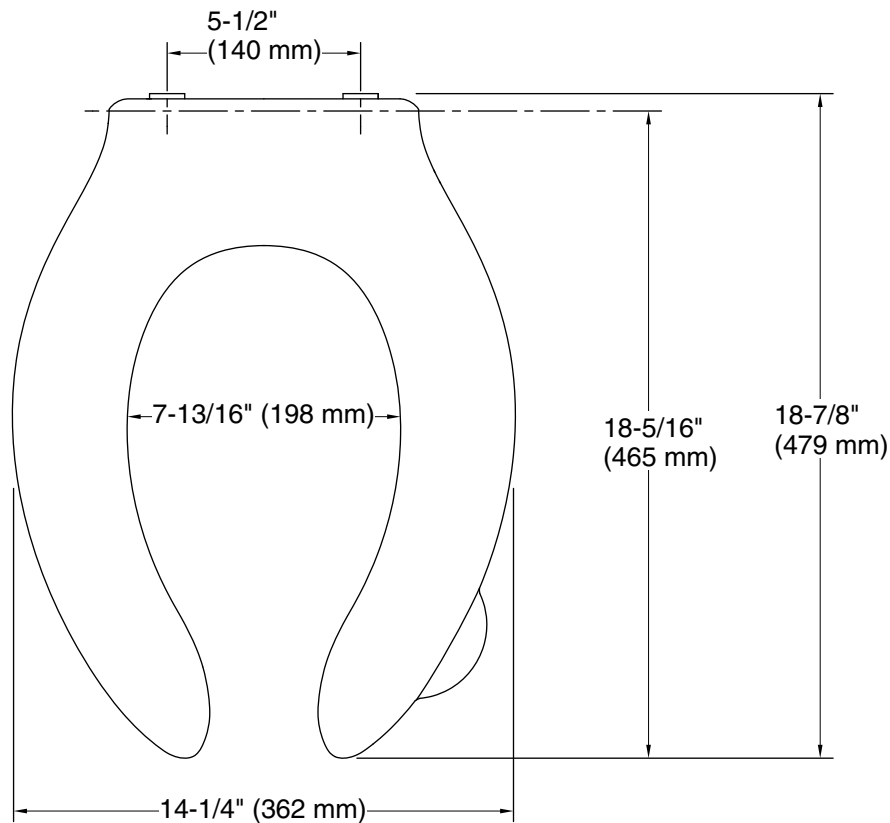
See website for detailed warranty information.

## Available Colors/Finishes

*Color tiles intended for reference only.*

Color	Code	Description
-------	------	-------------

	0	White
---	---	-------



### Technical Information

All product dimensions are nominal.

Seat shape type: Elongated  
Seat front type: Open-front  
Seat hinge type: Check  
Seat-mounting holes: 5-1/2" (140 mm)

### Notes

Install this product according to the installation instructions.