



Tahoe®
Drop-in Bathroom Sink
K-2895-8

Features

- 8-inch center faucet holes.
- Overflow drain.

Material

- KOHLER enameled cast iron.

Installation

- Drop-in

Recommended Products/Accessories

K-8998 P-Trap



ADA **CSA B651**

Codes/Standards





ASME A112.19.1/CSA B45.2
ADA
ICC/ANSI A117.1
CSA B651

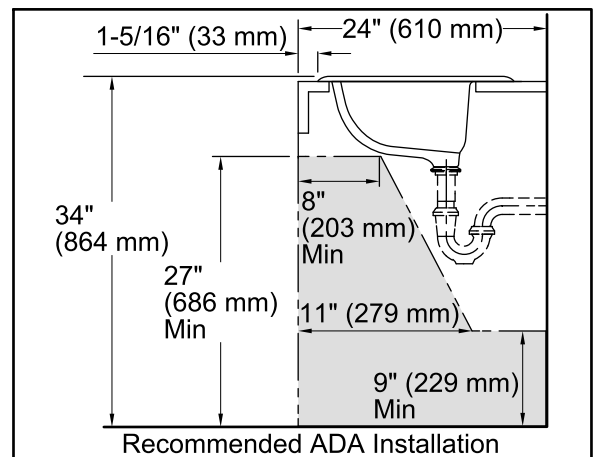
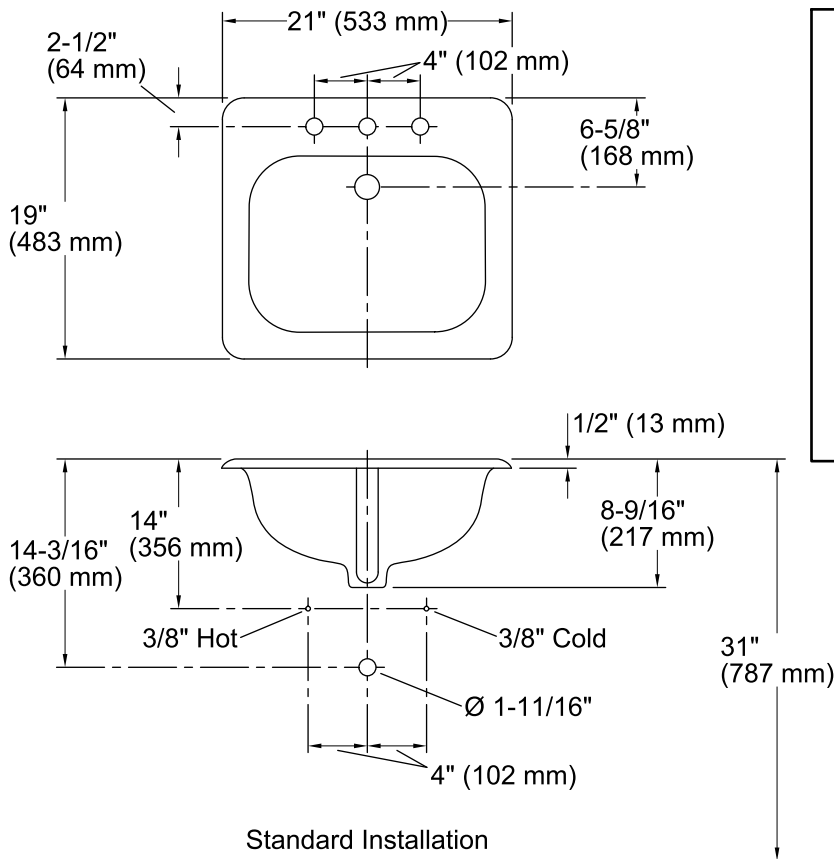
**Lifetime Limited Warranty for
KOHLER® Cast Iron Components**

See website for detailed warranty information.

Available Colors/Finishes

Color tiles intended for reference only.

Color	Code	Description
	0	White
	96	Biscuit
	47	Almond
	K4	Cashmere



Technical Information

All product dimensions are nominal.

Bowl configuration:	Single
Installation:	Drop-in
Bowl area (Only):	Length: 16" (406 mm) Width: 12" (305 mm) Water depth: 5" (127 mm)
Number of deck holes:	3
Faucet hole spacing:	8" (203 mm)
Faucet hole(s):	1-3/4" (44 mm)
Drain hole:	1-11/16" (43 mm)
Template:	116586-7, required, included

Notes

Install this product according to the installation instructions.

ADA, CSA B651 compliant when installed to the specific requirements of these regulations.