

Features

- Works with KOHLER filtration systems or as a cold water tap
- Integrated air gap offers reverse osmosis (RO) compatibility
- KOHLER ceramic disc valves exceed industry longevity standards by over two times, ensuring durable performance for life
- 1.5 gpm (5.7 lpm) maximum flow rate at 60 psi (4.14 bar)
- Faucet spout rotates 360° and offers clearance for filling glasses and pitchers
- Right-side lever handle
- Coordinates with other products in the Components collection

Material

- Premium metal construction for durability and reliability
- KOHLER® finishes resist corrosion and tarnishing

Installation

- Single-hole installation

Recommended Products/Accessories

- K-22155 Reverse osmosis (RO) water filtration system
- K-23723 Faucet cleaner

Optional Products/Accessories

- K-29638 Two-stage filtration system
- K-77686 Double-Cartridge Water Filtration System
- K-77685 Single-Cartridge Water Filtration System



ADA **CSA B651**

Codes/Standards

ASME A112.18.1/CSA B125.1
 NSF/ANSI/CAN 61
 NSF/ANSI/CAN 372
 All applicable US Federal and State material regulations
 DOE - Energy Policy Act 1992
 California Energy Commission (CEC)
 ADA
 ICC/ANSI A117.1
 CSA B651

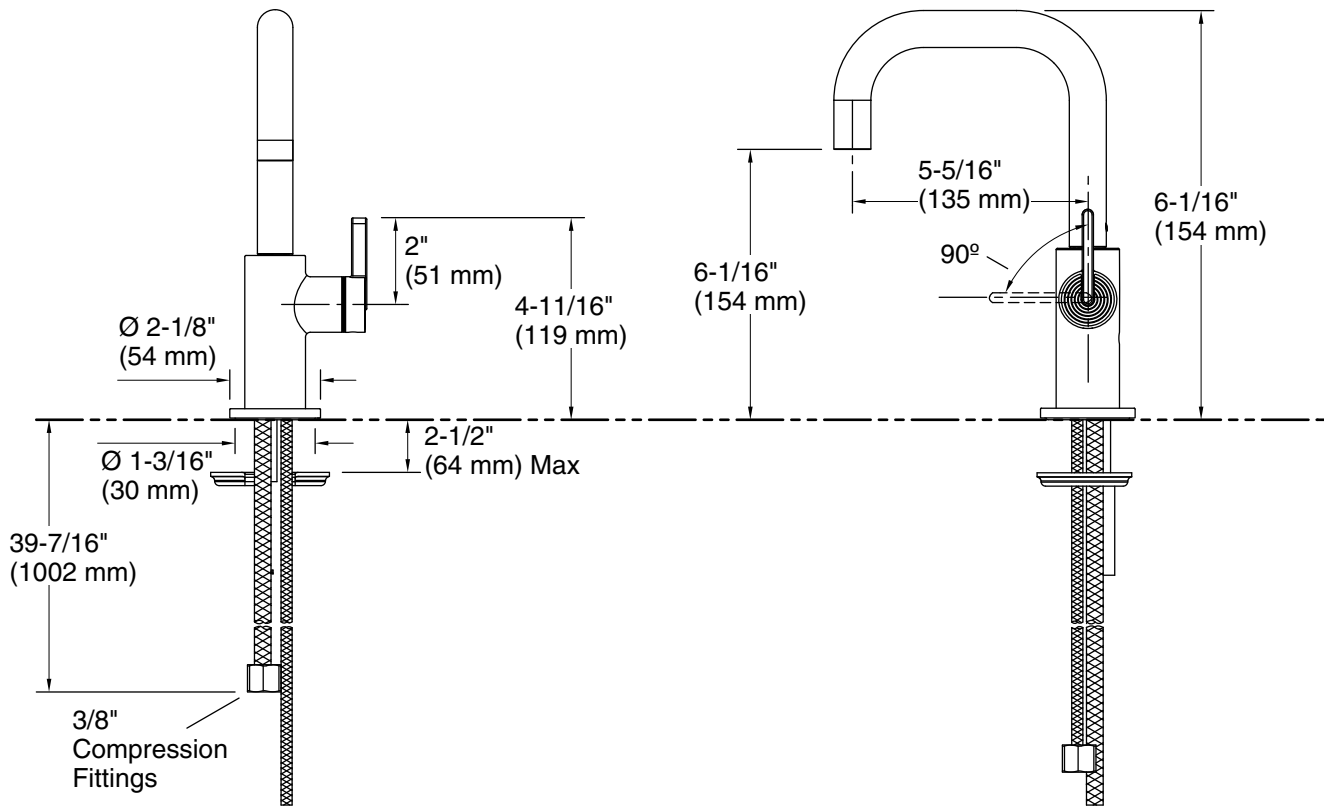
KOHLER® Faucet Lifetime Limited Warranty

See website for detailed warranty information.

Available Colors/Finishes

Color tiles intended for reference only.

| Color | Code | Description |
|-------|------|--------------------------------|
| | CP | Polished Chrome |
| | SN | Vibrant® Polished Nickel |
| | AF | Vibrant® French Gold |
| | VS | Vibrant® Stainless |
| | BV | Vibrant® Brushed Bronze |
| | BL | Matte Black |
| | 2MB | Vibrant® Brushed Moderne Brass |
| | BMB | Matte Black with Moderne Brass |
| | TT | Vibrant Titanium |



Technical Information

All product dimensions are nominal.

Faucet:

Flow rate: 1.5 gal/min (5.7 l/min)

Drain included: No

Spout:

Spout reach: 5-5/16" (134 mm)

Notes

Install this product according to the installation guide.

ADA, CSA B651 compliant when installed to the specific requirements of these regulations.