



**Iron/Tones®**  
Drop-in/Under-mount Bathroom Sink  
**K-2827**

**Features**

- Round-in-square basin.
- No faucet holes; requires wall- or counter-mount faucet.

**Material**

- KOHLER® enameled cast iron.

**Installation**

- Drop-in or under-mount.

**Recommended Products/Accessories**

K-9018 P-Trap

**Included Components**

Additional Components:

1193643 Basin clamps



**ADA** **CSA B651**

**Codes/Standards**










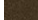
ASME A112.19.1/CSA B45.2  
ADA  
ICC/ANSI A117.1  
CSA B651

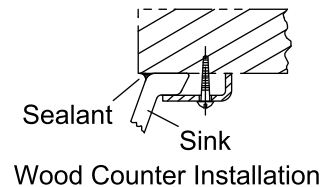
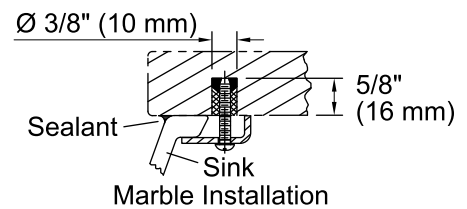
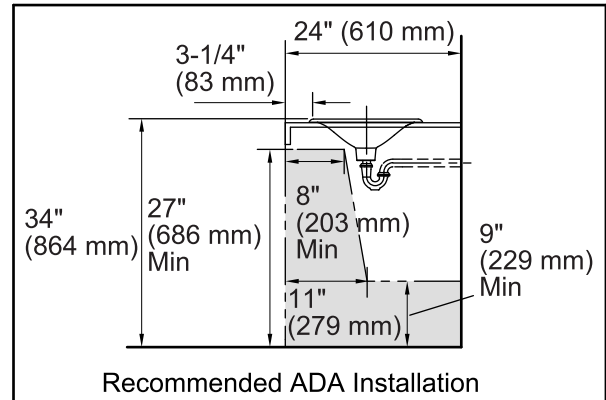
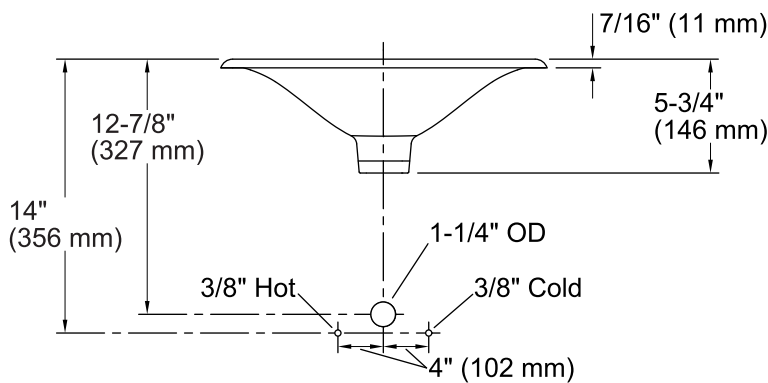
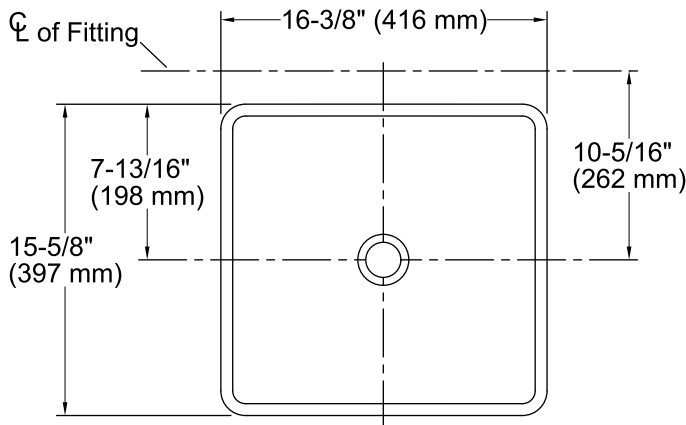
**Lifetime Limited Warranty for  
KOHLER® Cast Iron Components**

See website for detailed warranty information.

**Available Colors/Finishes**

*Color tiles intended for reference only.*

Color	Code	Description
	0	White
	FF	Sea Salt™
	96	Biscuit
	47	Almond
	FD	Cane Sugar™
	G9	Sandbar
	KC	Vapour™ Blue
	KG	Vapour™ Green
	FT	Basalt
	KA	Black 'n Tan



### Technical Information

All product dimensions are nominal.

Bowl configuration:	Single
Installation:	Drop-in, Under-mount
Bowl area (Only):	Length: 15-1/4" (387 mm) Width: 14-1/2" (368 mm) Water depth: 3-3/4" (95 mm)
Drain hole:	1-3/4" (44 mm)
Template:	1053507-7, required, included

### Notes

Install this product according to the installation instructions.

Supplied basin clamp assemblies require 1" (25 mm) minimum countertop thickness. Installer must supply anchors for thinner countertops

**NOTICE:** The countertop manufacturer or cutter must use the cut-out template provided with the product, or a current one provided by the Kohler Co. (call 1-800-4KOHLER.) Kohler Co. is not responsible for cut-out errors when the incorrect cut-out template is used.

ADA, CSA B651 compliant when installed to the specific requirements of these regulations.