

Tend® | K-28082-1DC

Washout half-stall 0.125 gpf touchless urinal, rear spud

Features

- Washout urinal
- 1/2" -14 NPT rear spud inlet connection
- Battery-operated touchless electronic flush valve powered by two AA alkaline batteries (included)
- Delivers dependable water-saving performance and added hygiene
- 0.125 gpf (0.47 lpf)
- 14-7/8" (378 mm) extended lip
- Extended lip helps keep floor cleaner
- Back wall design provides superior splash containment
- Smooth contours make cleaning fixture fast and easy
- Includes tank cover and tank cover locks
- This product can help a building earn Water Efficiency points in LEED® Green Building Rating System



Sustainability



Available Colors/Finishes

Color tiles intended for reference only.

- 0 White
- 96 Biscuit
- 7 Black Black



1-800-4KOHLER (1-800-456-4537)

Kohler Co. reserves the right to make revisions without notice to product specifications.
For the most current specification sheet, go to www.kohler.com USA or www.kohler.ca Canada.
3-27-2026 18:54 - US-CA

Codes/Standards

ADA, OBC compliant when installed to the specific requirements of these regulations.

This product should be used with a WaterSense labeled counterpart with the same rated flush volume to ensure the complete system meets the requirements of this specification for water efficiency and performance.



ASME A112.19.2/CSA B45.1
DOE - Energy Policy Act 1992
EPA WaterSense®
California Energy Commission (CEC)
ADA
ICC/ANSI A117.1
OBC

Technical Information

All product dimensions are nominal.

Spud size: 1/2", Inlet, Rear
Spud size: 2", Outlet, Rear
Trapway Type: Concealed
Flush Rate: 0.125 gpf (0.5 lpf)

Designed for the above water use when installed with a water-saving flushometer.

Pressure/Fixture Supply Requirements

Fixture Flow Rate Minimum: 1.1 gpm (4.2 l/min)

Material

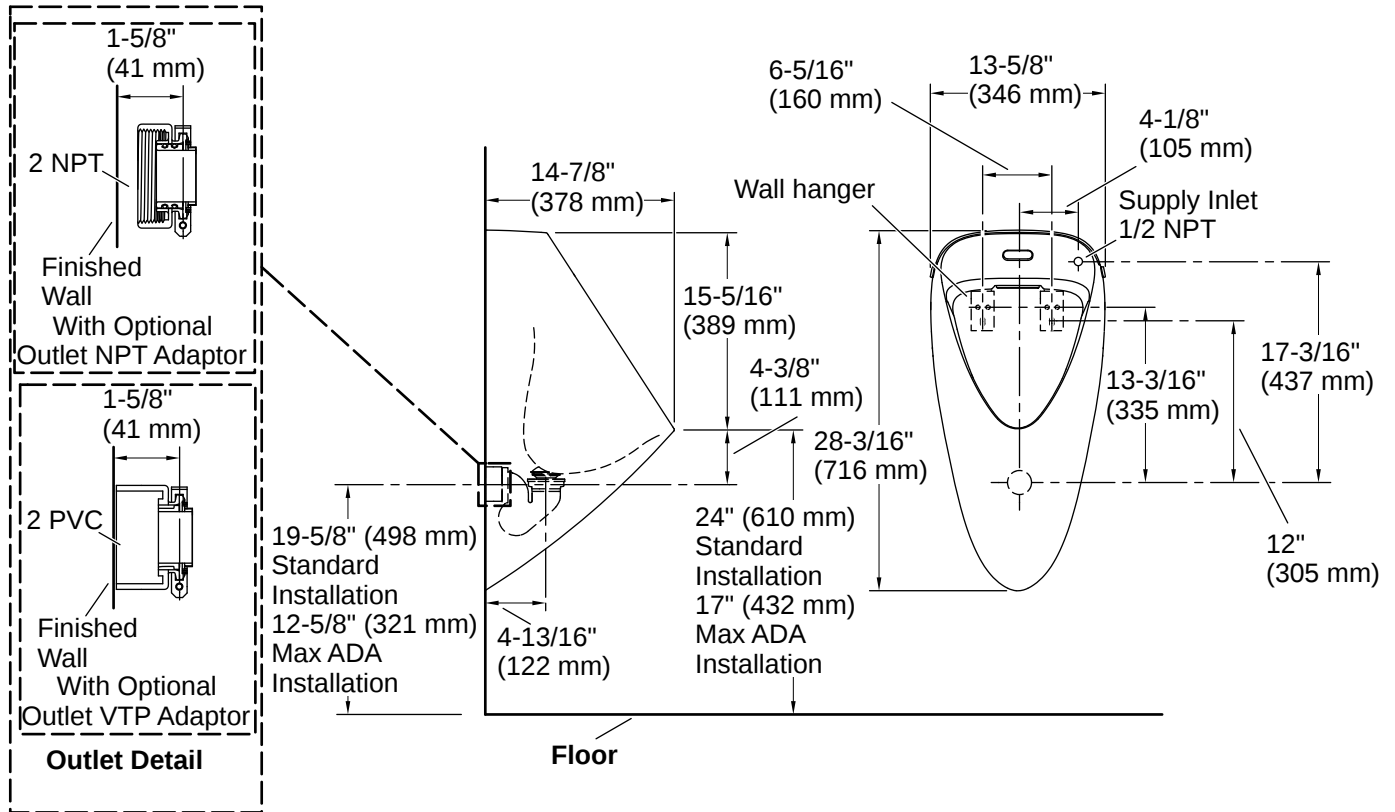
- Vitreous china

Warranty

See website for detailed warranty information.

KOHLER® One-Year Limited Warranty





Installation

- Wall-mount
- Trapway secures urinal to wall, eliminating bolts for a faster installation

Installation Notes

Install this product according to the installation instructions.

Install this product according to the installation instructions. Product dimensions are nominal and may vary per ASME A112.19.2 tolerances.

ADA, OBC compliant when installed to the specific requirements of these regulations.

