

## Features

- Large/medium bowls.
- 9" (229 mm) depth provides generous workspace.
- Includes one faucet hole and option for three additional holes for knockout with ball-peen hammer and punch.
- Includes K-80047 large sink rack.
- K-80048 small sink rack also available (sold separately).
- Matte finish offers rich, dimensional color.

## Material

- KOHLER Neoroc® composite is durable and built to withstand day-to-day cleaning tasks.
- Solid color throughout the sink.
- Heat-resistant up to 750°F.
- Scratch, stain, chip, and thermal-shock resistant.

## Installation

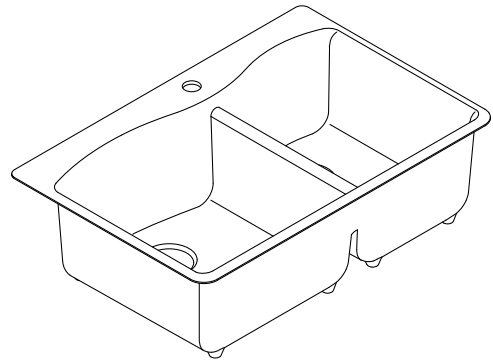
- 36" minimum base cabinet width for undermount or top-mount installation.
- Cutout templates included.
- Top-mount or undermount.

## Recommended Products/Accessories

- K-8801 Sink drain and strainer with tailpiece
- K-8799 Sink drain and strainer basket
- K-23726 Drain treatment
- K-23730 Neoroc® cleaner

## Optional Products/Accessories

- K-11352 Disposal Flange with Stopper
- K-9000 P-Trap



## Codes/Standards





CSA B45.5/IAPMO Z124

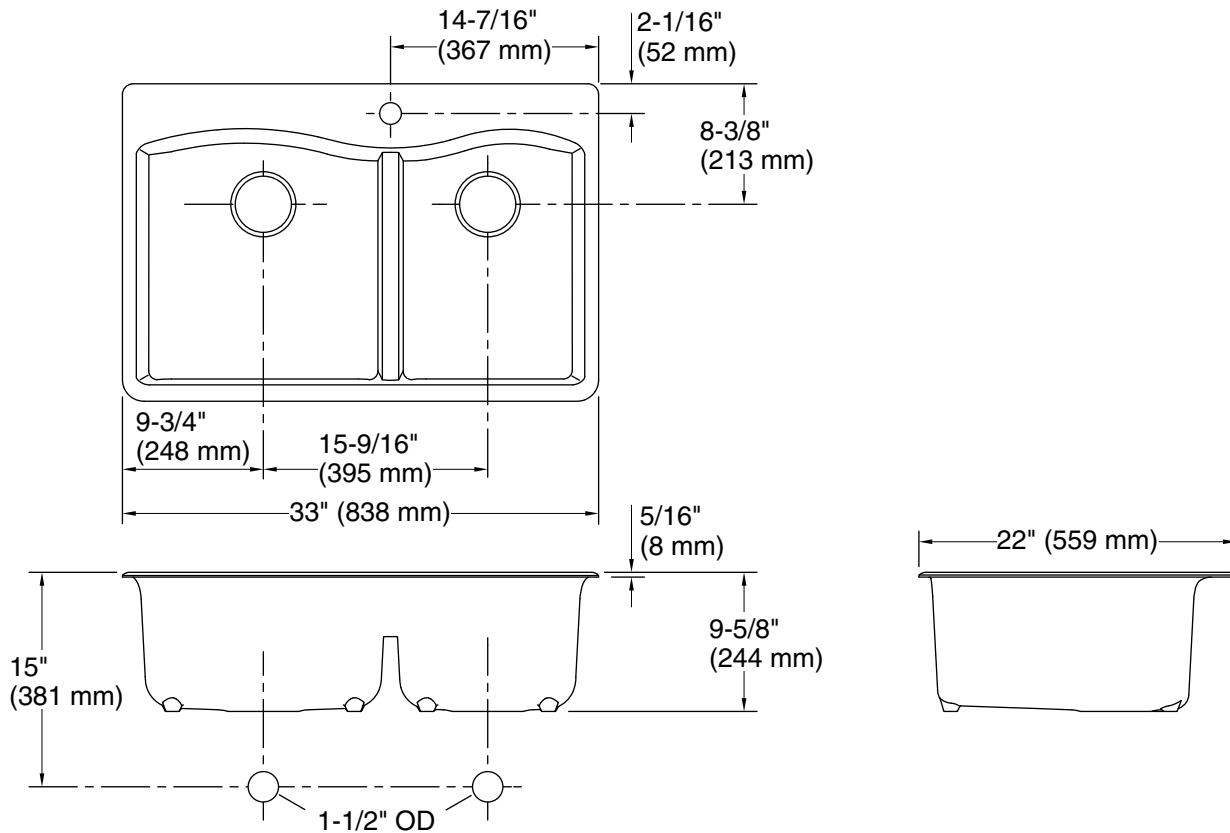
## KOHLER® Neoroc® Sinks Lifetime Limited Warranty

See website for detailed warranty information.

## Available Colors/Finishes

*Color tiles intended for reference only.*

Color	Code	Description
	CM7	Matte Graphite
	CM1	Matte Black
	CM2	Matte Brown
	CM3	Matte Taupe



## Technical Information

All product dimensions are nominal.

Bowl configuration:	Off-set Large/small
Installation:	Undermount, Top-mount
Min. base cabinet width:	36" (914 mm)
Bowl area (Left):	Length: 16-7/16" (417 mm) Width: 16-3/16" (411 mm) Bowl depth: 9" (229 mm) Water depth: 9" (229 mm)
Bowl area (Right):	Length: 16-7/16" (417 mm) Width: 12" (305 mm) Bowl depth: 9" (229 mm) Water depth: 9" (229 mm)
Number of deck holes:	1
Faucet hole spacing:	4" (102 mm)
Faucet hole(s):	1" (25 mm)
Drain hole:	3-7/8" (98 mm)
Template:	1354774-7, required, included

## Notes

Install this product according to the installation instructions.

**NOTICE:** Countertop manufacturer or cutter must use the cut-out template provided with the product, or a current one provided by Kohler Co. (call 1-800-4-KOHLER). Kohler Co. is not responsible for cutout errors when the incorrect cut-out template is used.