

### Features

- A single handle controls both on/off activation and temperature setting.
- 7-1/8" (181 mm) spout reach.
- 1.2 gpm (4.5 lpm) maximum flow rate at 60 psi (4.14 bar).
- Coordinates with other products in the Riff collection.

### Material

- Premium material construction for durability and reliability.
- KOHLER finishes resist corrosion and tarnishing.

### Installation

- Wall-mount.

### Water Conservation & Rebates

- This product can help a building earn Water Efficiency points in LEED® Green Building Rating System.

### Optional Products/Accessories

K-7107 Decorative Drain  
K-7108 Decorative Drain  
K-7114 Pop-Up Drain  
K-7114-A Pop-Up Drain  
K-7124 Pop-Up Clicker Drain  
K-7124-A Pop-Up Clicker Drain  
K-7127 Drain  
K-7127-A Drain  
K-7129 Drain  
K-7129-A Drain

### Included Components

Additional Components:  
Wall Mount Single Control Valve



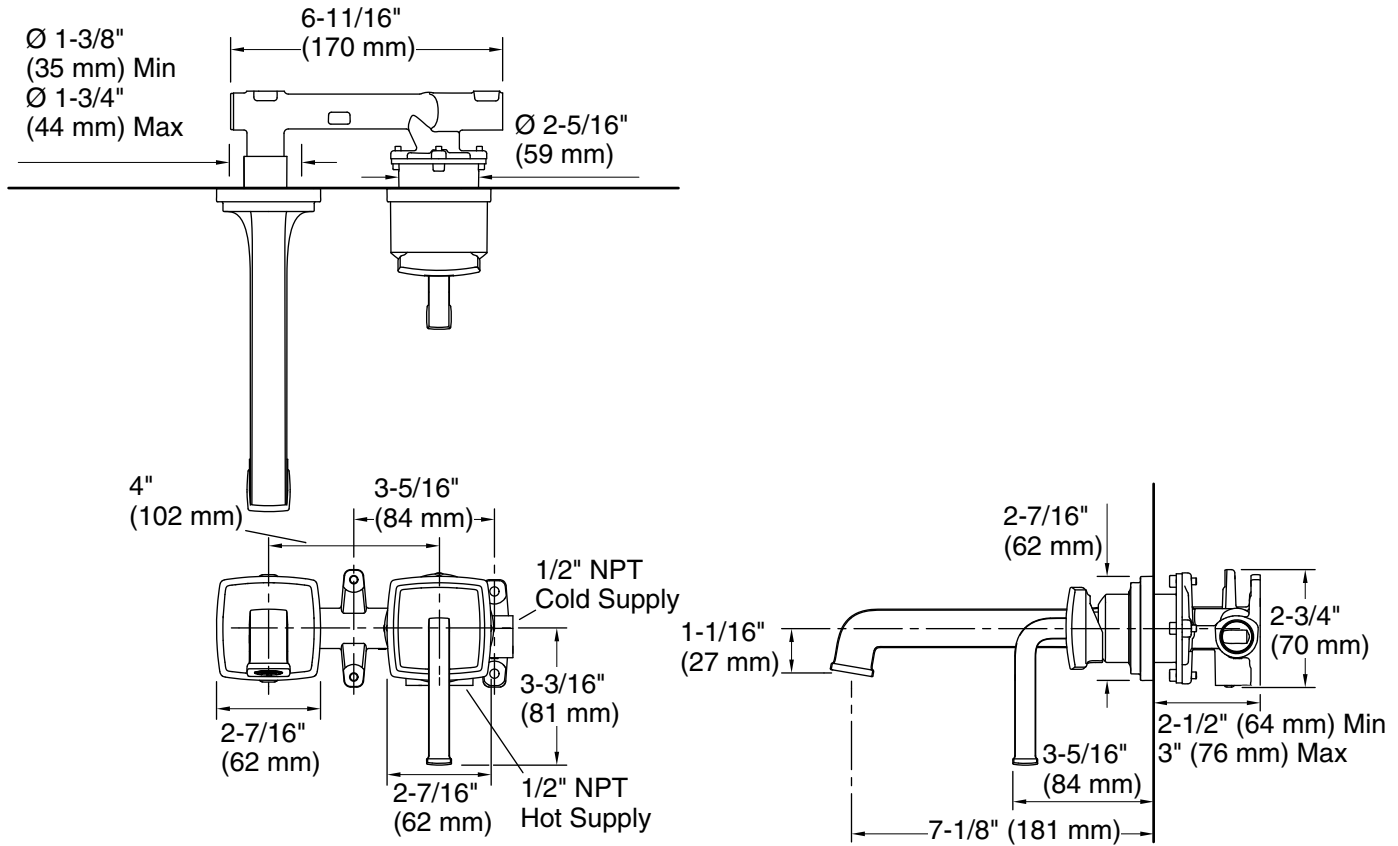
ADA    CSA B651    OBC

### Codes/Standards

ASME A112.18.1/CSA B125.1  
NSF/ANSI 61  
NSF/ANSI 372  
All applicable US Federal and State material regulations  
DOE - Energy Policy Act 1992  
EPA WaterSense®  
California Energy Commission (CEC)  
ADA  
ICC/ANSI A117.1  
CSA B651  
OBC

### KOHLER® Faucet Lifetime Limited Warranty

See website for detailed warranty information.



### Technical Information

All product dimensions are nominal.

#### Faucet:

Flow rate: 1.2 gal/min (4.5 l/min)

Pressure: 60 psi (4.1 bar)

Drain included: No

#### Spout:

Spout reach: 7-9/16" (193 mm)

### Notes

Install this product according to the installation instructions.

ADA, OBC, CSA B651 compliant when installed to the specific requirements of these regulations.