

Features

- Modern, simplistic exposed thermostatic valve serves as a hub for shower controls
- Mechanically controlled thermostatic mixing valve maintains outlet temperature throughout shower experience
- Control panel includes adjustable temperature dial with integrated adjustable high-temperature limit feature and shower outlet on/off buttons
- When pressed once, shower outlet turns on and button pops out, becoming a knob for water flow adjustment
- When pressed back in, water turns off and outlet button aligns with control plate surface; flow setting remains intact
- 1/2" Universal NPT and direct sweat inlets
- Requires a single-function rainhead, handshower, and hose (sold separately)

Material

- Premium material construction for durability and reliability
- KOHLER® finishes resist corrosion and tarnishing

Installation

- Valve is fully serviceable from control panel

Recommended Products/Accessories

- K-26282 Round three-function handshower, 2.5 gpm
- K-26282-G Round three-function handshower, 1.75 gpm
- K-26284 Oblong three-function handshower, 2.5 gpm
- K-26284-G Oblong three-function handshower, 1.75 gpm
- K-26294 Oblong 14" single-function rainhead, 2.5 gpm
- K-9514 60" Shower Hose

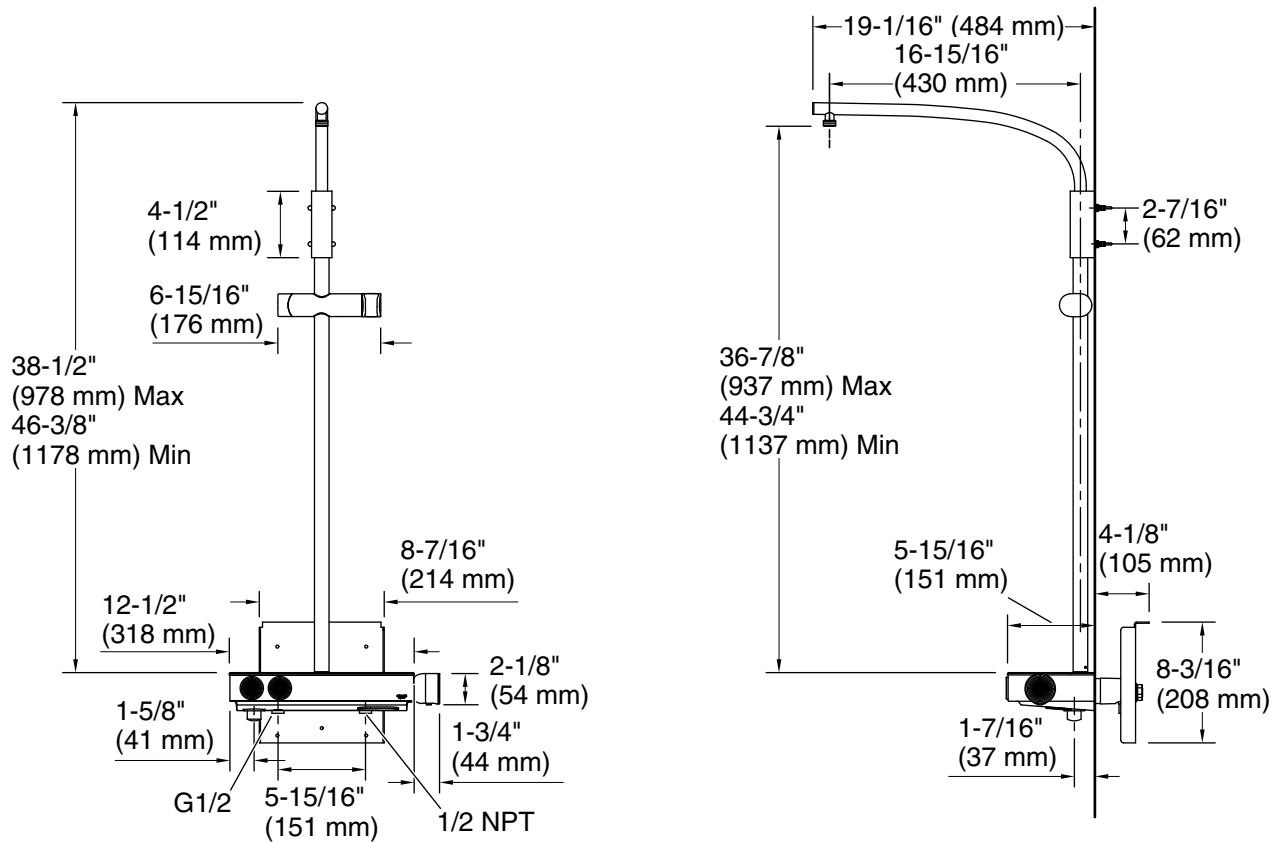


Codes/Standards

ASME A112.18.1/CSA B125.1
ASSE 1016/ASME A112.1016/CSA B125.16

KOHLER® Faucet Lifetime Limited Warranty

See website for detailed warranty information.



Technical Information

All product dimensions are nominal.

Shower Valve:

Flow Rate (Max) @ 45 psi	5 gal/min (18.9 l/min)
Manufacturer's minimum rated flow:	1.3 gal/min (4.9 l/min)
Pressure:	45 psi (3.1 bar)
Maximum (Static) Pressure:	125 psi (8.6 bar)
Minimum (Operating) Pressure:	20 psi (1.4 bar)
Drain included:	No