

### Features

- VibrAcoustic calms and soothes with sound vibration technology.
- Six concealed speakers send sound waves through the water to gently massage the body.
- Four original instrumental compositions offer different levels of relaxation.
- Syncs with devices enabled with BLUETOOTH® wireless technology including smartphones, MP3 players, tablets, and laptops located up to 33 feet away.\*
- Customize your experience with the high-resolution color touch screen.
- Fully adjustable volume above and below the water.
- Functions as a hydrotherapy bath when full of water and a stereo system when empty.
- Includes 25 feet of wiring and amplifier.
- Bask heated surface creates spa-like relaxation with soothing warmth on your back and neck.
- Three heat settings allow you to customize the surface temperature.
- Freestanding design creates a striking focal point in your bathing area.
- Molded lumbar support offers extra comfort while bathing.
- Slotted overflow allows for deep soaking.
- End drain.
- Coordinates with other products in the Archer collection.

### Material

- Acrylic

### Hydrotherapy

- VibrAcoustic

### Installation

- Freestanding
- End ledge allows for deck-mounting capabilities for faucets.

### Additional Hydrotherapy Options

- Soaking Bath - K-2594-0
- Soaking Bath + Music - K2594-2M
- Soaking Bath + Bask heated surface - K-2594-W1
- Soaking Bath + Bask heated surface + Music - K-2594-2MW
- BubbleMassage air bath - K-2595-G
- BubbleMassage air bath + Music - K-2595-G2M
- BubbleMassage air bath + Bask heated surface - K-2595-GW
- VibrAcoustic - K-2595-VB
- VibrAcoustic + Bask heated surface - K-2595-VBW

### Required Products/Accessories

K-7271 Brass Slotted Overflow Bath Drain



### Codes/Standards

CSA B45.5/IAPMO Z124  
UL 1795  
CSA C22.2 No. 218.2  
EPA TSCA Title VI



### KOHLER® Plastic Baths and Receptors Lifetime Limited Warranty

See website for detailed warranty information.

The BLUETOOTH® word mark and logos are registered trademarks owned by Bluetooth SIG, Inc. and any use of such marks by Kohler Co. is under license. Other trademarks and trade names are those of their respective owners.

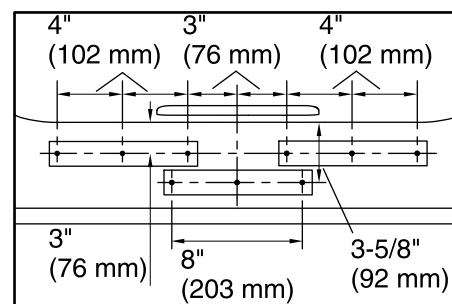
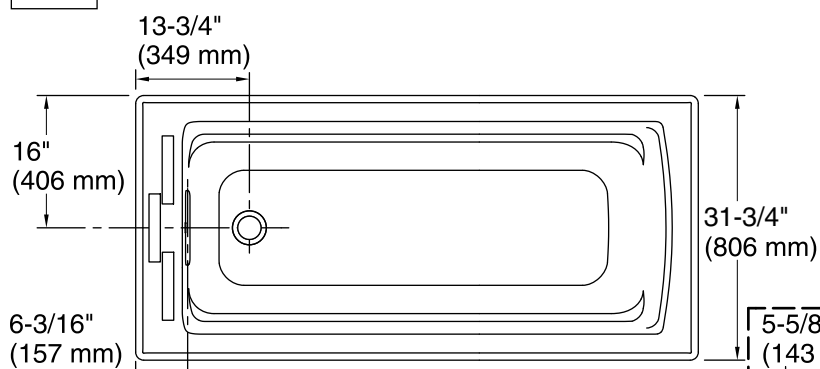
### Available Colors/Finishes

*Color tiles intended for reference only.*

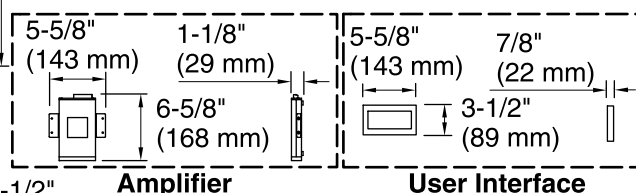
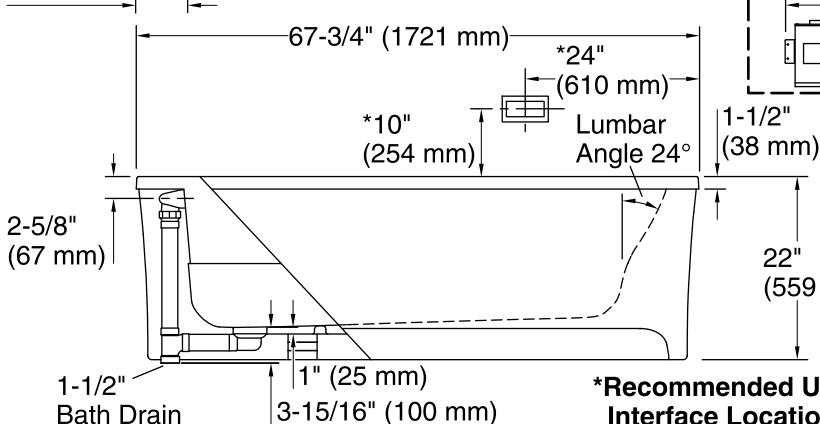
Color	Code	Description
	0	White
	96	Biscuit

No change in measurements if connected with drain illustrated. (K-7272)

Recommended Faucet Location

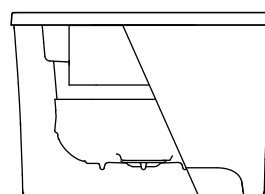


Recommended Faucet Hole Location



Amplifier

User Interface



\*Recommended User Interface Location

### Required Electrical Service

One dedicated circuit required, protected with Class A Ground-Fault Circuit-Interrupter (GFCI). Outside North America, this device may be known as a Residual Current Device (RCD).

Heated Surface, 120 V, 15 A, 60 Hz  
Amplifier:

### Technical Information

All product dimensions are nominal.

Installation:	Freestanding
Drain location:	End
Basin area, bottom:	51-1/16" x 19-11/16" (1297 mm x 500 mm)
Basin area, top:	58-9/16" x 25-5/16" (1487 mm x 643 mm)
Weight:	192 lbs (87.1 kg)
Minimum floor load:	43.9 lbs/ft <sup>2</sup> (214.3 kg/m <sup>2</sup> )
Water depth:	15-1/16" (383 mm)
Water capacity:	65 gal (246.1 L)
Template:	Footprint, 1265461, not required, not included
Electrical component rating:	Heated Surface: 120 V, 1.1 A, 60 Hz, 65 W Amplifier: 120 V, 1.1 A, 50/60 Hz

### Notes

Measure your actual product for rough-in details. Install this product according to the installation instructions.

The hot water supply should be 70% of the capacity of the bath or greater. Installations will vary.

Provide one grounded electrical outlet within 24" (610 mm) of each component.

Control amplifier fits 16" (406 mm) center studs. Provide a separate grounded outlet if connecting to a powered wireless device or adapter.

If installing a rim-mount faucet, make sure there is no interference above or below the deck before drilling any holes.