

Features

- Airjets release thousands of bubbles that surround, support, and massage the body.
- Variable-speed blower lets you adjust massage intensity to 18 levels.
- Freestanding design creates a striking focal point in your bathing area.
- Molded lumbar support offers extra comfort while bathing.
- Slotted overflow allows for deep soaking.
- End drain.
- Automatic purge cycles remove residual water from air channels after use.
- Coordinates with other products in the Archer collection.

Material

- Acrylic.

Hydrotherapy

- BubbleMassage.

Installation

- Freestanding.
- End ledge allows for deck-mounting capabilities for faucets.

Additional Hydrotherapy Options

- Soaking Bath - K-2594-0
- Soaking Bath + Music - K2594-2M
- Soaking Bath + Bask heated surface - K-2594-W1
- Soaking Bath + Bask heated surface + Music - K-2594-2MW
- BubbleMassage air bath - K-2595-G
- BubbleMassage air bath + Music - K-2595-G2M
- BubbleMassage air bath + Bask heated surface - K-2595-GW
- VibrAcoustic - K-2595-VB
- VibrAcoustic + Bask heated surface - K-2595-VBW

Recommended Products/Accessories

K-24916 Wireless Music Kit



Codes/Standards

ASME A112.19.7/CSA B45.10
CSA B45.5/IAPMO Z124
UL 1795
CSA C22.2 No. 218.2




**KOHLER® Plastic Baths and Receptors
Lifetime Limited Warranty
KOHLER® Hydrotherapy Components
Five-Year Limited Warranty**

See website for detailed warranty information.

Available Colors/Finishes

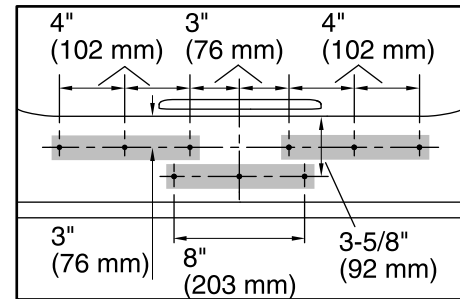
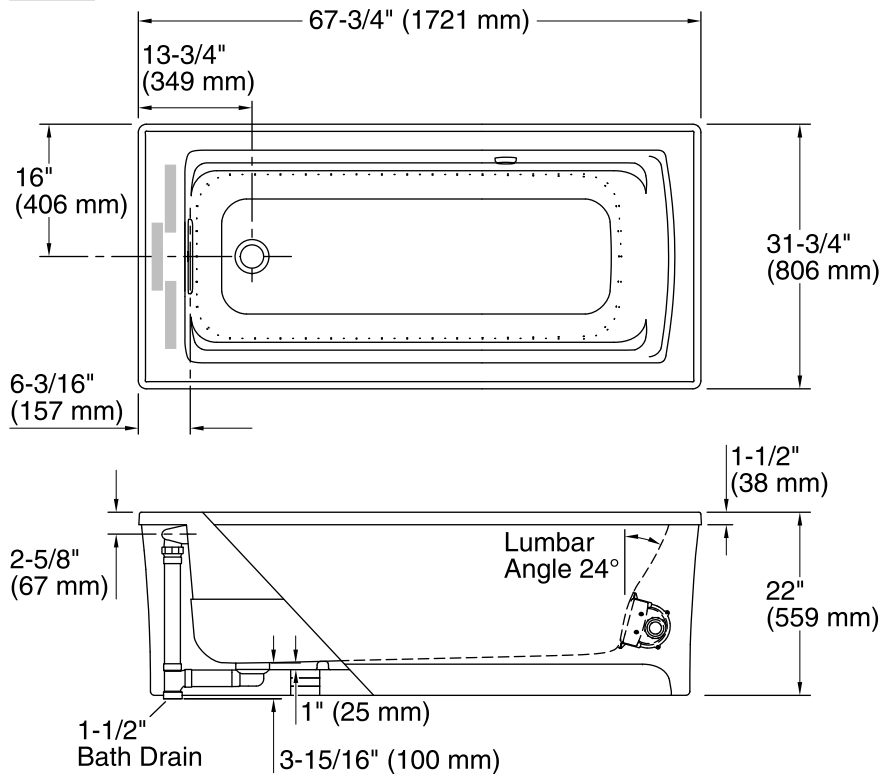
Color tiles intended for reference only.

Color	Code	Description
-------	------	-------------

	0	White
	96	Biscuit
	G9	Sandbar

No change in measurements if connected with drain illustrated. (K-7272)

█ Faucet area.



Required Electrical Service

One dedicated circuit required, protected with Class A Ground-Fault Circuit-Interrupter (GFCI). Outside North America, this device may be known as a Residual Current Device (RCD).

Blower: 120 V, 15 A, 60 Hz

Technical Information

All product dimensions are nominal.

Installation:	Freestanding
Drain location:	End
Basin area, bottom:	51-1/16" x 19-11/16" (1297 mm x 500 mm)
Basin area, top:	58-9/16" x 25-5/16" (1487 mm x 643 mm)
Weight:	100 lbs (45.4 kg)
Minimum floor load:	44.2 lbs/ft ² (215.8 kg/m ²)
Water depth:	15-1/16" (383 mm)
Water capacity:	65 gal (246.1 L)
Template:	Footprint, 1265461, not required, not included
Electrical component rating:	Blower: 120 V, 10 A, 60 Hz
Blower speed:	Variable

Notes

Measure your actual product for rough-in details. Install this product according to the installation instructions.

The hot water supply should be 70% of the capacity of the bath or greater. Installations will vary.

Measure your actual product for roughing-in details.

Locate a GFCI-protected 120 V, 15 A, grounded electrical outlet behind the bath and within 24" (610 mm) of the blower motor.

Remote blower installation kit K-1446 is available for relocating the blower.

This bath is designed for freestanding installation only.

NOTICE: Do not support the load weight of the bath by the rim.

NOTICE: Confirm adequate support for rim-mount faucet. Using faucets as a means of support are not appropriate or safe for this installation.