

### Features

- VibrAcoustic calms and soothes with sound vibration technology.
- Six concealed speakers send sound waves through the water to gently massage the body.
- Four original instrumental compositions offer different levels of relaxation.
- Syncs with devices enabled with BLUETOOTH® wireless technology including smartphones, MP3 players, tablets, and laptops located up to 33 feet away.\*
- Customize your experience with the high-resolution color touch screen.
- Fully adjustable volume above and below the water.
- Functions as a hydrotherapy bath when full of water and a stereo system when empty.
- Includes 25 feet of wiring and amplifier.
- Freestanding design creates a striking focal point in your bathing area.
- Molded lumbar support offers extra comfort while bathing.
- Slotted overflow allows for deep soaking.
- End drain.
- Coordinates with other products in the Archer collection.

### Material

- Acrylic

### Hydrotherapy

- VibrAcoustic

### Installation

- Freestanding
- End ledge allows for deck-mounting capabilities for faucets.

### Additional Hydrotherapy Options

- Soaking Bath - K-2592-0
- Soaking Bath + Music - K2592-2M
- Soaking Bath + Bask heated surface - K-2592-W1
- Soaking Bath + Bask heated surface + Music - K-2592-2MW
- BubbleMassage air bath - K-2593-G
- BubbleMassage air bath + Music - K-2593-G2M
- BubbleMassage air bath + Bask heated surface - K-2593-GW
- VibrAcoustic - K-2593-VB
- VibrAcoustic + Bask heated surface - K-2593-VBW

### Required Products/Accessories

K-7271 Brass Slotted Overflow Bath Drain

or

K-7272 PVC Slotted Overflow Bath Drain



### Codes/Standards

CSA B45.5/IAPMO Z124

UL 1795

CSA C22.2 No. 218.2

### KOHLER® Plastic Baths and Receptors Lifetime Limited Warranty






See website for detailed warranty information.

The BLUETOOTH® word mark and logos are registered trademarks owned by Bluetooth SIG, Inc. and any use of such marks by Kohler Co. is under license. Other trademarks and trade names are those of their respective owners.

### Available Colors/Finishes

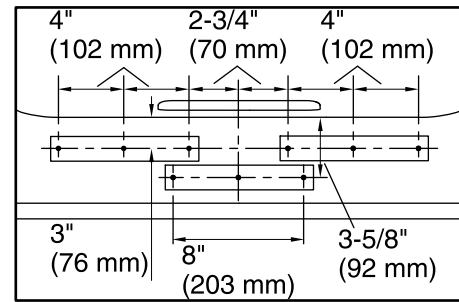
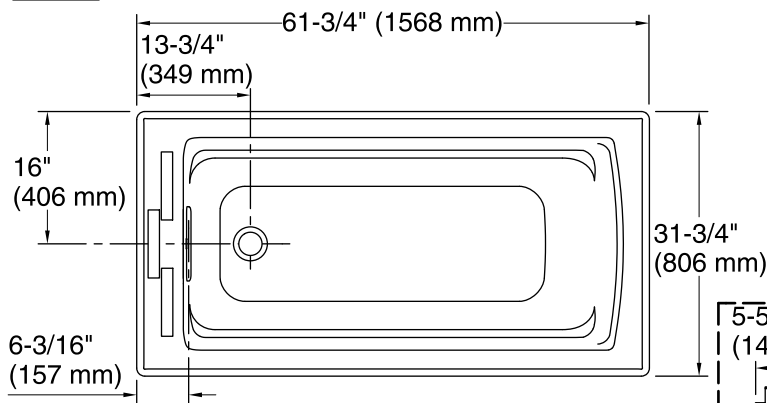
*Color tiles intended for reference only.*

Color	Code	Description
-------	------	-------------

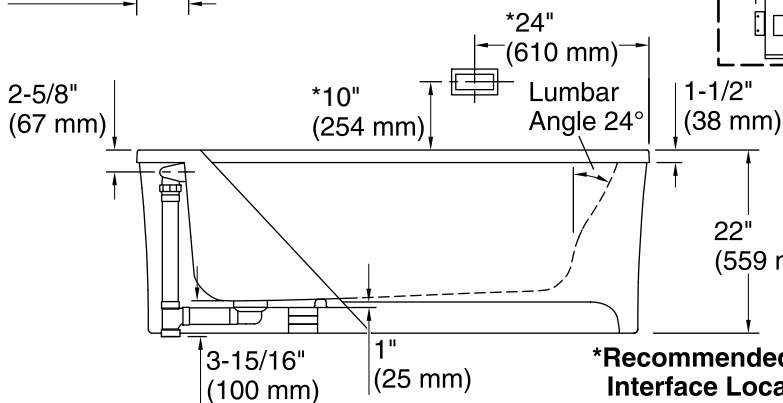
	0	White
	96	Biscuit
	47	Almond
	NY	Dune
	G9	Sandbar

No change in measurements if connected with drain illustrated. (K-7272)

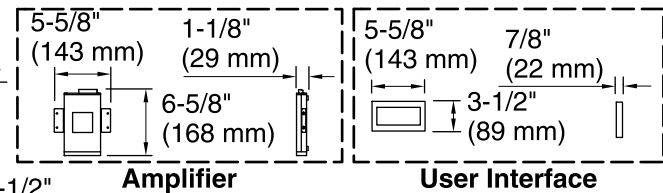
 Recommended Faucet Location



**Recommended Faucet Hole Location**

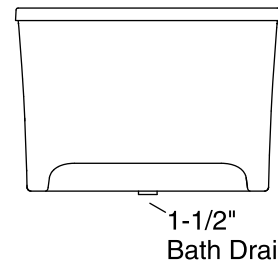


**\*Recommended User Interface Location**



**Amplifier**

**User Interface**



**1-1/2" Bath Drain**

### Required Electrical Service

One dedicated circuit required, protected with Class A Ground-Fault Circuit-Interrupter (GFCI). Outside North America, this device may be known as a Residual Current Device (RCD).

Amplifier: 120 V, 15 A, 60 Hz

### Technical Information

All product dimensions are nominal.

Installation:	Freestanding
Drain location:	End
Basin area, bottom:	45-1/8" x 19-11/16" (1147 mm x 500 mm)
Basin area, top:	52-3/4" x 25-5/16" (1339 mm x 643 mm)
Weight:	171 lbs (77.6 kg)
Minimum floor load:	43.5 lbs/ft <sup>2</sup> (212.4 kg/m <sup>2</sup> )
Water depth:	15-1/16" (383 mm)
Water capacity:	58 gal (219.6 L)
Template:	Footprint, 1265460, not required, not included
Electrical component rating:	Amplifier: 120 V, 1.1 A, 50/60 Hz
Amplifier channels:	2 at 15 W per channel 2 at 30 W per channel

### Notes

Measure your actual product for rough-in details. Install this product according to the installation instructions.

The hot water supply should be 70% of the capacity of the bath or greater. Installations will vary.

Control amplifier fits 16" (406 mm) center studs. If installing a rim-mount faucet, make sure there is no interference above or below the deck before drilling any holes.