

Features

- Airjets release thousands of bubbles that surround, support, and massage the body.
- Variable-speed blower lets you adjust massage intensity to 18 levels.
- Freestanding design creates a striking focal point in your bathing area.
- Molded lumbar support offers extra comfort while bathing.
- Slotted overflow allows for deep soaking.
- End drain.
- Automatic purge cycles remove residual water from air channels after use.
- Coordinates with other products in the Archer collection.

Material

- Acrylic

Hydrotherapy

- BubbleMassage

Installation

- Freestanding
- End ledge allows for deck-mounting capabilities for faucets.

Additional Hydrotherapy Options

- Soaking Bath - K-2592-0
- Soaking Bath + Music - K2592-2M
- Soaking Bath + Bask heated surface - K-2592-W1
- Soaking Bath + Bask heated surface + Music - K-2592-2MW
- BubbleMassage air bath - K-2593-G
- BubbleMassage air bath + Music - K-2593-G2M
- BubbleMassage air bath + Bask heated surface - K-2593-GW
- VibrAcoustic - K-2593-VB
- VibrAcoustic + Bask heated surface - K-2593-VBW

Required Products/Accessories

K-7271 Brass Slotted Overflow Bath Drain

or

K-7272 PVC Slotted Overflow Bath Drain

Recommended Products/Accessories

K-24916 Wireless Music Kit



Codes/Standards

ASME A112.19.7/CSA B45.10

CSA B45.5/IAPMO Z124

UL 1795

EPA TSCA Title VI

KOHLER® Plastic Baths and Receptors

Lifetime Limited Warranty

KOHLER® Hydrotherapy Components




Five-Year Limited Warranty

See website for detailed warranty information.

Available Colors/Finishes

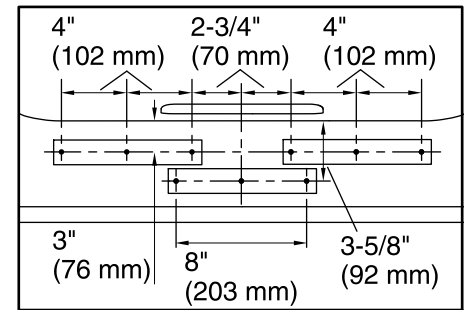
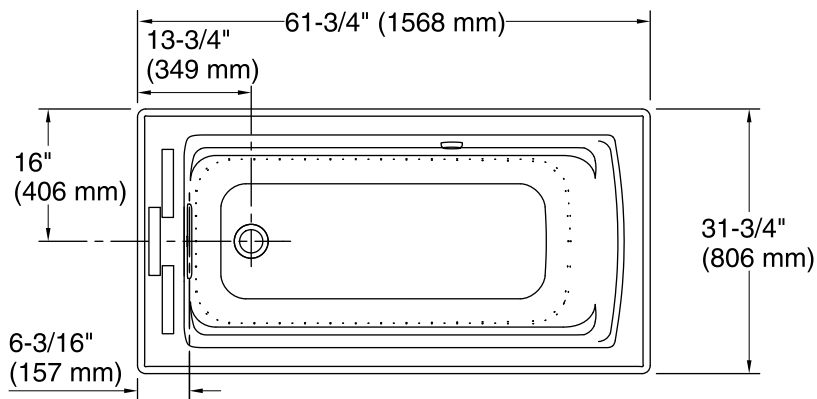
Color tiles intended for reference only.

Color	Code	Description
-------	------	-------------

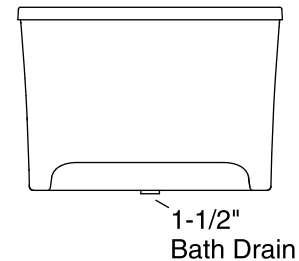
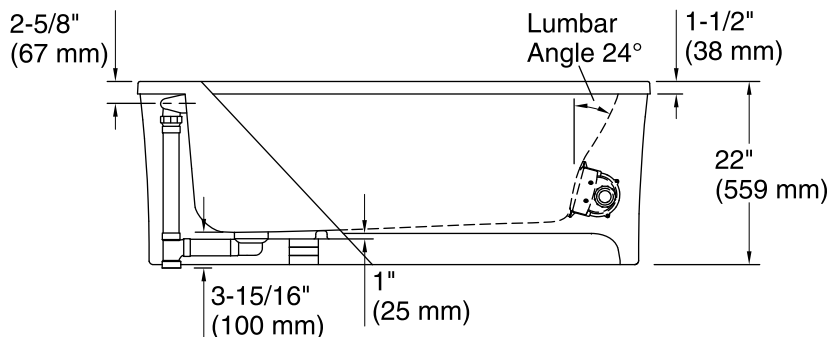
	0	White
	96	Biscuit
	G9	Sandbar

No change in measurements if connected with drain illustrated. (K-7272)

☐ Recommended Faucet Location



Recommended Faucet Hole Location



Required Electrical Service

One dedicated circuit required, protected with Class A Ground-Fault Circuit-Interrupter (GFCI). Outside North America, this device may be known as a Residual Current Device (RCD).

Blower: 120 V, 15 A, 60 Hz

Technical Information

All product dimensions are nominal.

Installation:	Freestanding
Drain location:	End
Basin area, bottom:	45-1/8" x 19-11/16" (1147 mm x 500 mm)
Basin area, top:	52-3/4" x 25-5/16" (1339 mm x 643 mm)
Weight:	94.5 lbs (42.9 kg)
Minimum floor load:	43.8 lbs/ft ² (213.9 kg/m ²)
Water depth:	15-1/16" (383 mm)
Water capacity:	58 gal (219.6 L)
Template:	Footprint, 1265460, not required, not included
Electrical component rating:	Blower: 120 V, 10 A, 60 Hz
Blower speed:	Variable

Notes

Measure your actual product for rough-in details. Install this product according to the installation instructions.

The hot water supply should be 70% of the capacity of the bath or greater. Installations will vary.

Provide one grounded electrical outlet within 24" (610 mm) of each component.

This bath is designed for freestanding installation only.

If installing a rim-mount faucet, make sure there is no interference above or below the deck before drilling any holes.