

Features

- Slotted overflow allows for deep soaking
- 13-1/4" (337 mm) deep-soaking depth provides a relaxing bathing experience
- Integral lumbar support and neck rest offer extra comfort while bathing
- Low step-over height allows easy entry and exit
- Integral overflow and preinstalled toe-tap drain reduce installation time
- Toe-tap drain color-matched to the bath
- Textured bottom surface

Material

- Acrylic

Installation

- Drop-in
- Reversible drain



ADA

Codes/Standards

CSA B45.5/IAPMO Z124
ASTM E162
ASTM E662
ADA
ICC/ANSI A117.1



KOHLER® Plastic Baths and Shower Bases Lifetime Limited Warranty

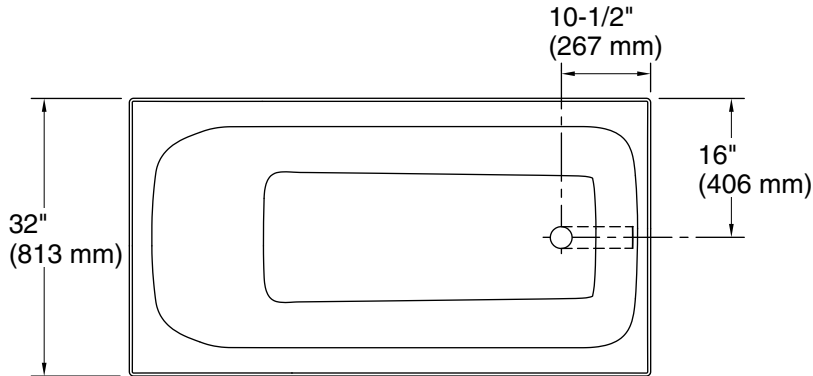
See website for detailed warranty information.

Available Colors/Finishes

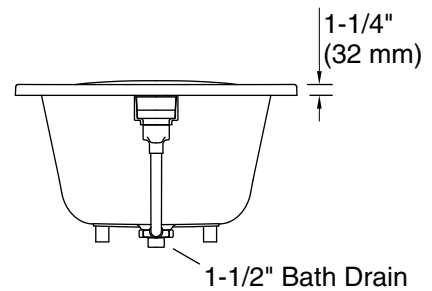
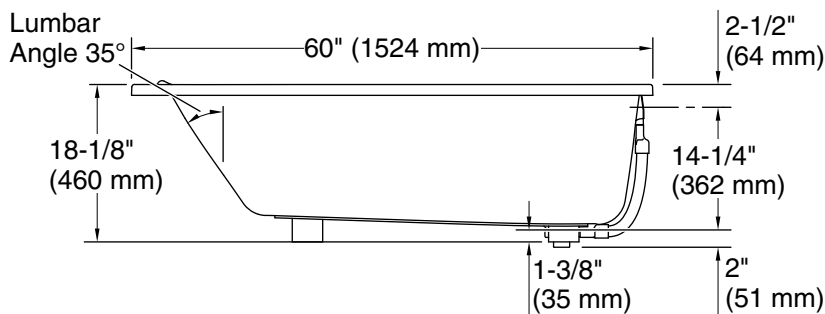
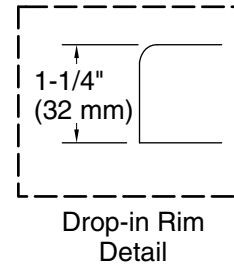
Color tiles intended for reference only.

| Color | Code | Description |
|-------|------|-------------|
|-------|------|-------------|

| | | |
|---|----|---------|
|  | 0 | White |
|  | 96 | Biscuit |



No change in measurements if connected with drain illustrated. (1381626)



Technical Information

All product dimensions are nominal.

| | |
|------------------------|--|
| Drain location: | Reversible |
| Basin area, bottom: | 43-1/2" x 20-13/16" (1105 mm x 529 mm) |
| Basin area, top: | 55-15/16" x 25-1/2" (1421 mm x 647 mm) |
| Weight: | 89.16 lbs (40.4 kg) |
| Water depth: | 13-1/4" (337 mm) |
| Water capacity: | 55.35 gal (209.5 L) |
| Minimum flat for door: | 2-15/16" (75 mm) |

Notes

Measure your actual product for rough-in details.

Install this product according to the installation instructions.

The hot water supply should be 70% of the capacity of the bath or greater. Installations will vary.

ADA compliant when installed to the specific requirements of these regulations.