

## Features

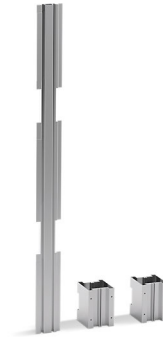
- Joins together medicine cabinets to increase horizontal size.
- For use with all 30" H Kohler Verdera medicine cabinets (lighted and non-lighted).
- One kit joins two medicine cabinets.

## Material

- Anodized aluminum construction with a durable rust-free and chip-free finish.

## Installation

- Includes mounting hardware.
- Spacer kit adds incremental width to cabinet size upon joining together. It is recommended to measure incremental space needed prior to installation.

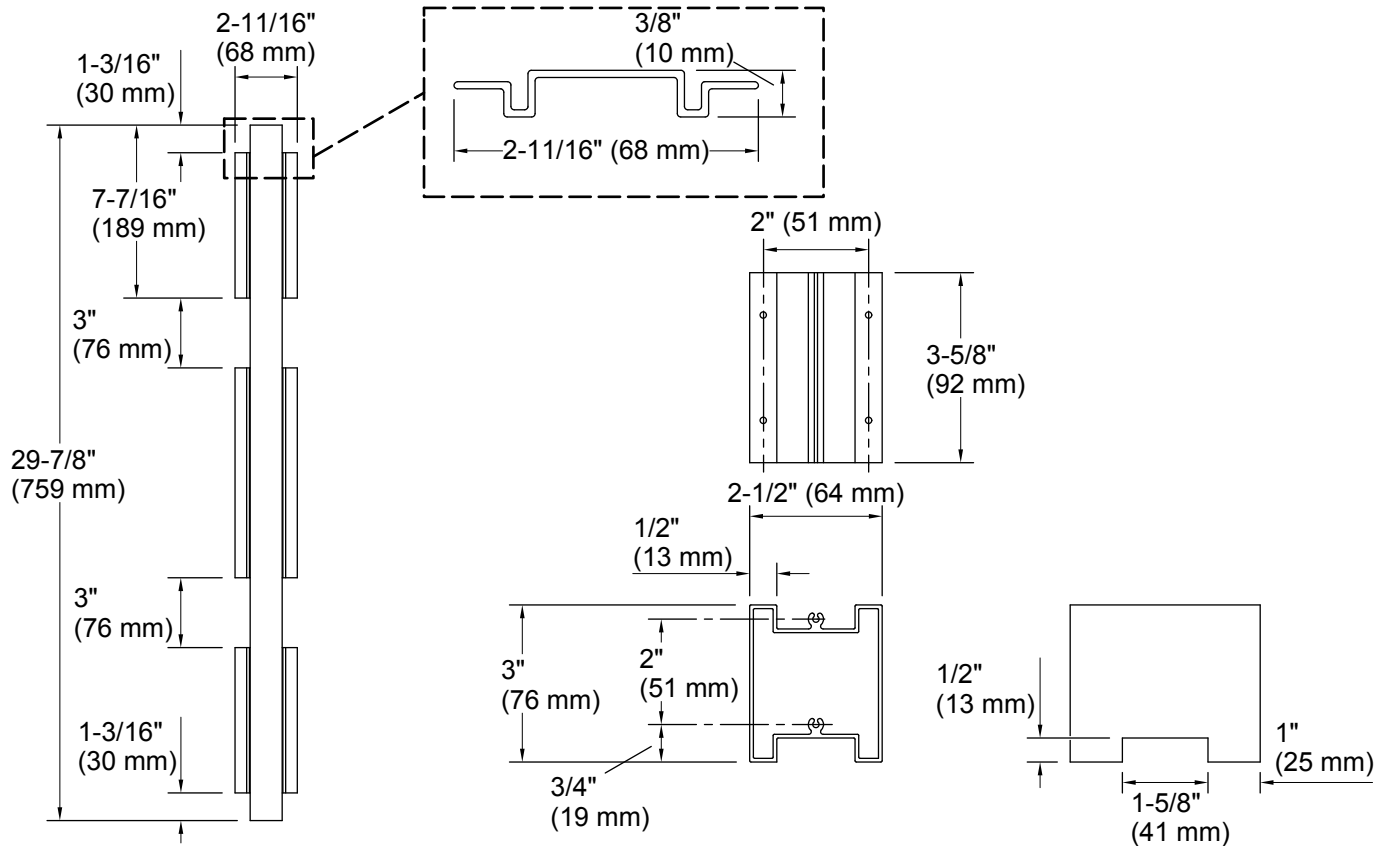


## Codes/Standards

None Applicable

## KOHLER® One-Year Limited Warranty

See website for detailed warranty information.



### Technical Information

All product dimensions are nominal.

### Notes

Install this product according to the installation instructions.