

#### Features

- Full stall washdown urinal.
- 0.5 or 1.0 gpf (1.9 or 3.8 lpf).
- Lip of urinal installs below floor level for easier cleaning around fixture.
- Full length sidewalls provide added privacy.
- External trapway.
- ¾" (19 mm) top spud.

#### Material

- Vitreous china.

#### Installation

- Replaces K-4920-T.

#### Recommended Products/Accessories

- K-10675 Touchless washdown 0.5 gpf flushometer
- K-10958 Touchless DC 0.5 gpf washdown urinal flushometer
- K-10960 Touchless DC washdown 1.0 gpf urinal flushometer
- K-13518 Manual 1.0 GPF Wshdwn Flushometer
- K-13519 Manual 0.5 GPF Urinal Flushometer
- K-4932 Urinal Seam Cover
- K-9172 Urinal Strainer
- K-9183 Urinal Strainer
- K-23726 Drain treatment
- K-23725 Cast iron cleaner

#### Included Components

Additional Components:

- 18376 Urinal Spud Accessory ¾"



ADA

CSA B651

OBC

#### Codes/Standards





ASME A112.19.2/CSA B45.1  
DOE - Energy Policy Act 1992  
EPA WaterSense®  
California Energy Commission (CEC)  
ADA  
ICC/ANSI A117.1  
CSA B651  
OBC

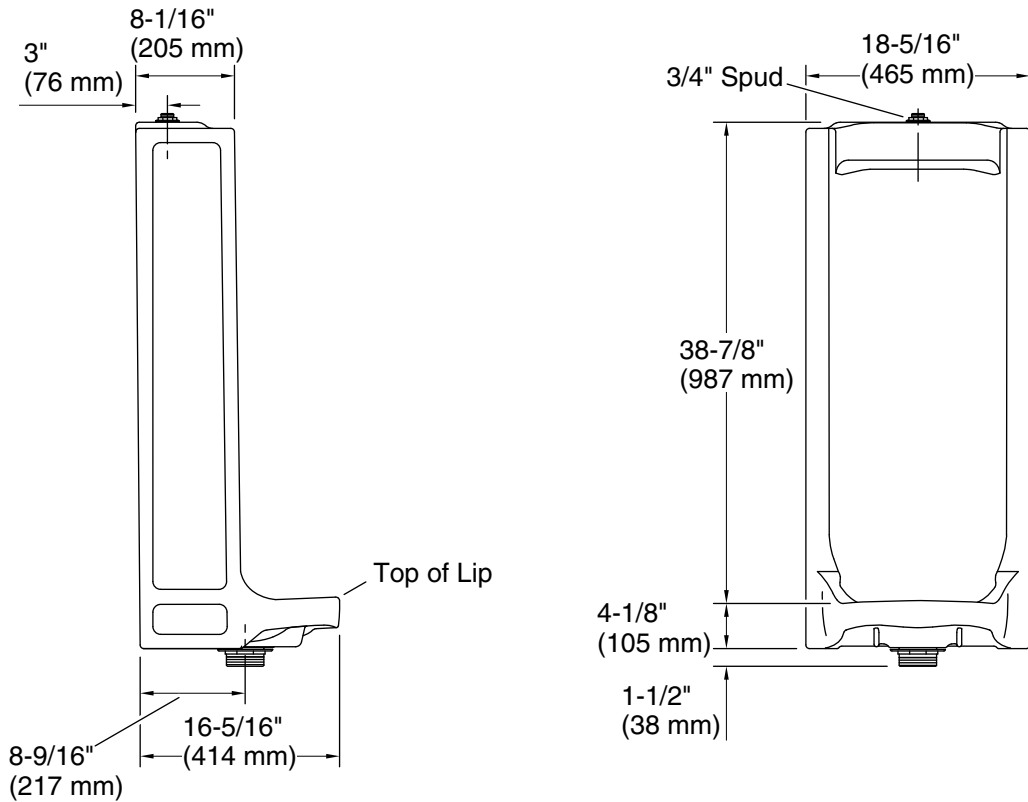
#### KOHLER® One-Year Limited Warranty

See website for detailed warranty information.

#### Available Colors/Finishes

*Color tiles intended for reference only.*

Color	Code	Description
	0	White
	96	Biscuit
	47	Almond
	7	Black Black™



## Technical Information

All product dimensions are nominal.

Flush outlet technology:	Washout
Spud size:	3/4, Inlet, Top
Min. Water per Flush:	0.5 gal (1.9 L)
Max. Water per Flush:	1 gal (3.8 L)

Designed for the above water use when installed with a water-saving flushometer.

## Pressure and Supply Requirements

Fixture pressure min (static):	20 psi (137.9 kPa)
Fixture pressure max (static):	80 psi (551.6 kPa)

## Notes

Install this product according to the installation instructions.

Refer to manufacturer's instructions and local codes for flushometer requirements.

ADA, OBC, CSA B651 compliant when installed to the specific requirements of these regulations.