

Features

- Refined rectangular basin
- No faucet holes; requires wall- or counter-mount faucet
- Coordinates with other products in the Memoirs collection

Material

- Vitreous china

Installation

- Undermount

Recommended Products/Accessories

- K-23726 Drain treatment
- K-23725 Cast iron cleaner

Included Components

- 1193643 Basin clamps



ADA

Codes/Standards

ASME A112.19.2/CSA B45.1
ADA
ICC/ANSI A117.1

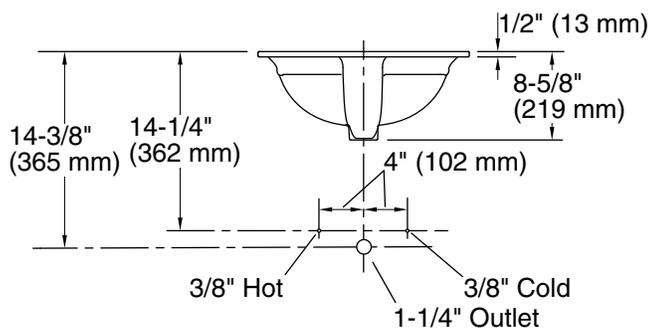
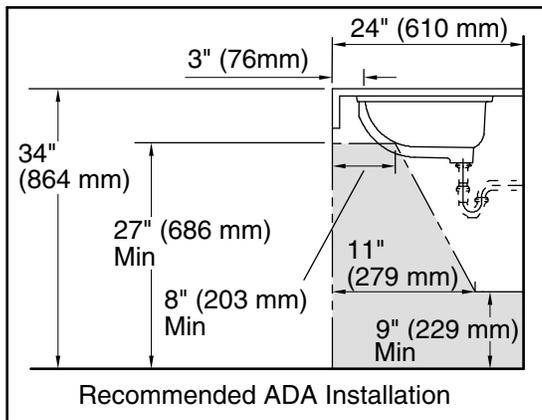
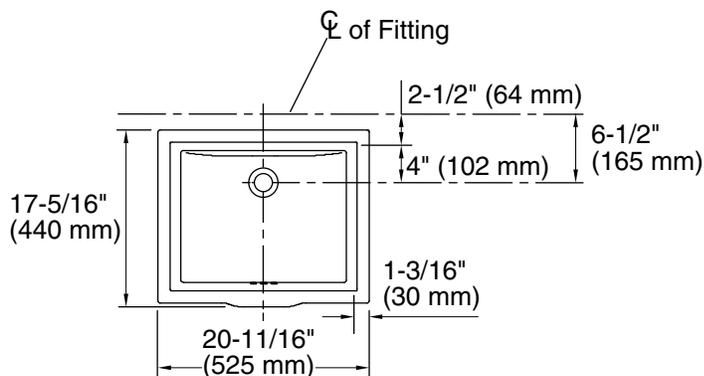
KOHLER® One-Year Limited Warranty

See website for detailed warranty information.

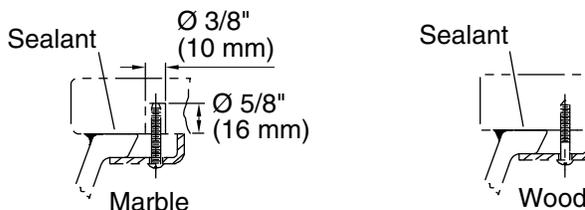
Available Colors/Finishes

Color tiles intended for reference only.

Color	Code	Description
	0	White
	96	Biscuit
	NY	Dune
	95	Ice™ Grey
	58	Thunder™ Grey
	7	Black Black™
	17	Teal
	42	Aspen Green



Standard Installation



Installation

Technical Information

All product dimensions are nominal.

- Bowl configuration: Single
- Bowl area: Length: 18-7/16" (468 mm)
Width: 14-13/16" (376 mm)
Water depth: 5-3/16" (132 mm)
- With overflow: Yes
- Drain hole: 1-3/4" (44 mm)
- Template: 1031348-7, required, not included

Notes

Install this product according to the installation instructions.

NOTICE: Countertop manufacturer or cutter must use the current product template available at www.kohler.com, or by calling 1-800-4KOHLER. Kohler Co. is not responsible for cutout errors when the incorrect cutout template is used.

ADA compliant when installed to the specific requirements of these regulations.