



Highline® Quiet-Close™
elongated toilet seat
K-22203

Features

- Quiet-Close™ lid closes slowly and quietly without slamming.
- Grip-Tight bumpers hold seat firmly in place.
- Single-hinge cover simplifies cleaning.
- Quick-Attach® hardware for fast and secure installation.
- Color-matched plastic hinges.

Material

- Plastic.



Codes/Standards

None Applicable

KOHLER® One-Year Limited Warranty

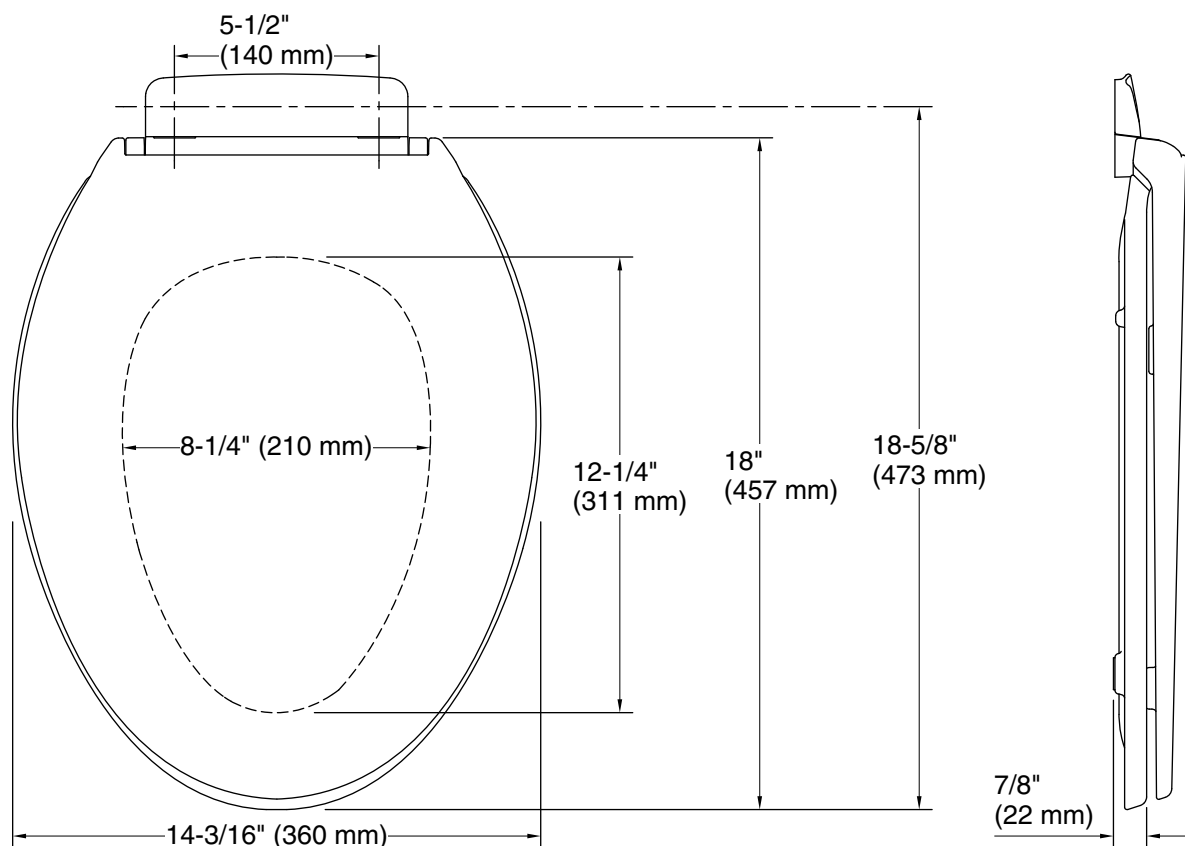
See website for detailed warranty information.

Available Colors/Finishes

Color tiles intended for reference only.

Color Code Description

	0	White
--	---	-------



Technical Information

All product dimensions are nominal.

Seat shape type: Elongated

Seat front type: Closed-front

Seat-mounting holes: 5-1/2" (140 mm)

Notes

Install this product according to the installation instructions.