

Features

- >99% reduction of bacteria and protozoa.
- Filters up to 2 liters per hour with proper and sustained use.
- Estimated life: filters up to 5000 liters.
- Does not remove lead, arsenic or other chemical contaminants.

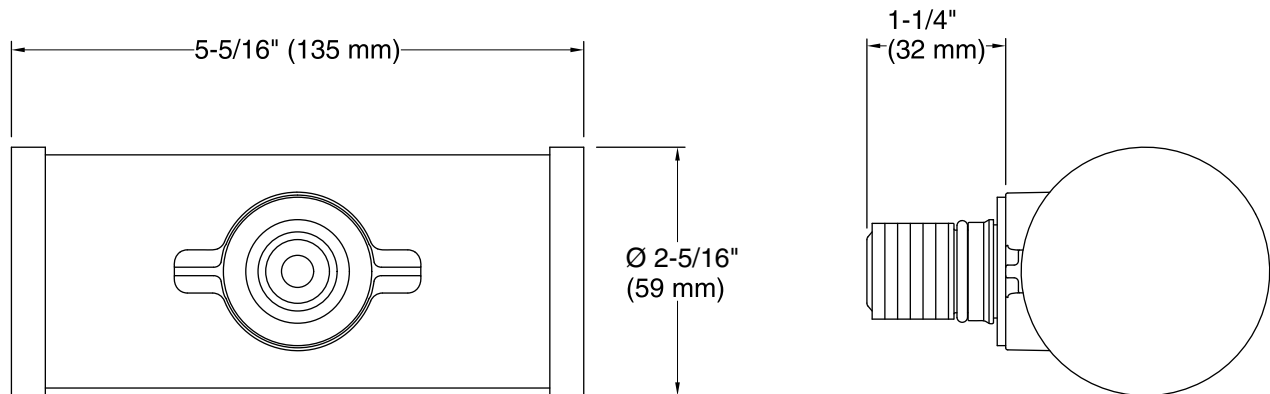


Codes/Standards

None Applicable

KOHLER® One-Year Limited Warranty

See website for detailed warranty information.



Technical Information

All product dimensions are nominal.

Notes

Install this product according to the installation instructions.