



Iron Plains®

33" oval drop-in / undermount / vessel bathroom sink
K-20213-PFG

Features

- Elongated oval basin
- No faucet holes; requires wall- or counter-mount faucet
- With overflow
- Enameled Fresh Green interior and painted Fresh Green underside

Material

- KOHLER® enameled cast iron
- Acid-resistant enamel finish

Installation

- Vessel, drop-in, or undermount

Recommended Products/Accessories

- K-23726 Drain treatment
- K-23725 Cast iron cleaner

Included Components

- 1193643 Basin clamps



ADA

CSA B651

Codes/Standards

ASME A112.19.1/CSA B45.2
ADA
ICC/ANSI A117.1
CSA B651
IAPMO Certification

KOHLER® Enameled Cast Iron Kitchen and Bathroom Sink Lifetime Limited Warranty

See website for detailed warranty information.

Available Colors/Finishes

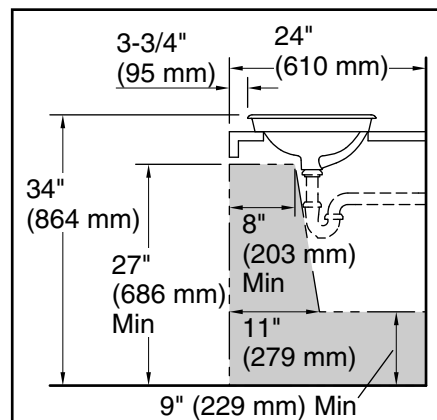
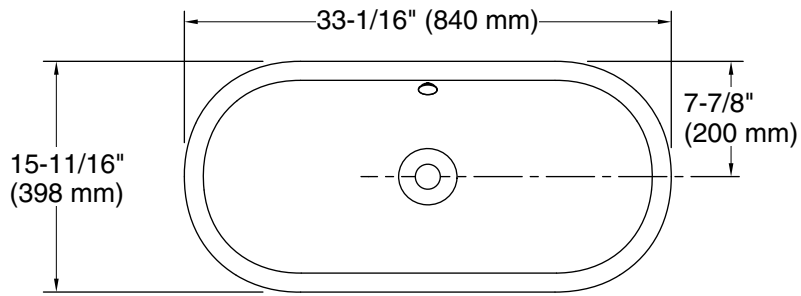
Color tiles intended for reference only.

Color Code Description

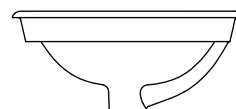
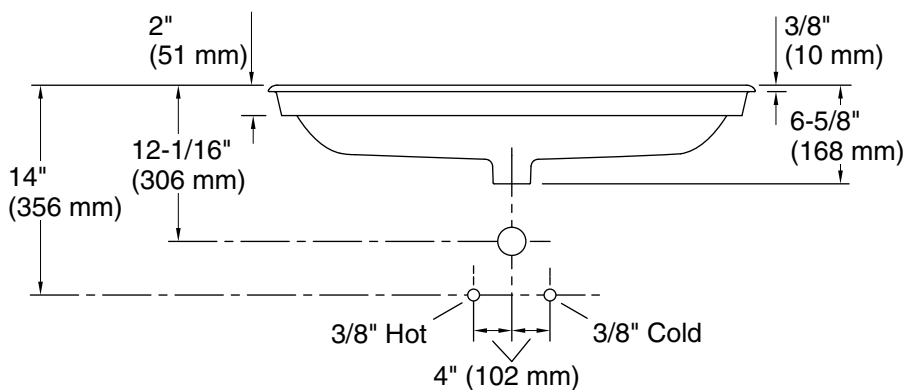
	34	Fresh Green
---	----	-------------



Iron Plains®
 33" oval drop-in / undermount / vessel bathroom sink
K-20213-PFG



Recommended ADA Installation



Technical Information

All product dimensions are nominal.

- Bowl configuration: Single
- Bowl area (Only): Length: 31-13/16" (808 mm)
 Width: 14-7/16" (367 mm)
 Bowl depth: 4-11/16" (120 mm)
 Water depth: 3-1/4" (83 mm)
- With overflow: Yes
- Drain hole: 1-3/4" (44 mm)
- Template: 1319049-7, required, included

Notes

- Install this product according to the installation instructions.
- NOTICE: Countertop manufacturer or cutter must use the current product template available at www.kohler.com or by calling 1-800-4KOHLER. Kohler Co. is not responsible for cutout errors when the incorrect cut-out template is used.
- ADA, CSA B651 compliant when installed to the specific requirements of these regulations.