



# Iron Plains®

30" rectangular drop-in / undermount / vessel  
bathroom sink  
**K-20212-PAG**

## Features

- Large rectangular basin
- No faucet holes; requires wall- or counter-mount faucet
- With overflow
- Enameled Aspen Green interior and painted Aspen Green underside

## Material

- KOHLER® enameled cast iron
- Acid-resistant enamel finish

## Installation

- Vessel, drop-in, or undermount

## Recommended Products/Accessories

- K-23726 Drain treatment
- K-23725 Cast iron cleaner

## Included Components

- 1193643 Basin clamps



ADA

CSA B651

## Codes/Standards

ASME A112.19.1/CSA B45.2  
ADA  
ICC/ANSI A117.1  
CSA B651  
IAPMO Certification

## KOHLER® Enameled Cast Iron Kitchen and Bathroom Sink Lifetime Limited Warranty

See website for detailed warranty information.

## Available Colors/Finishes

*Color tiles intended for reference only.*

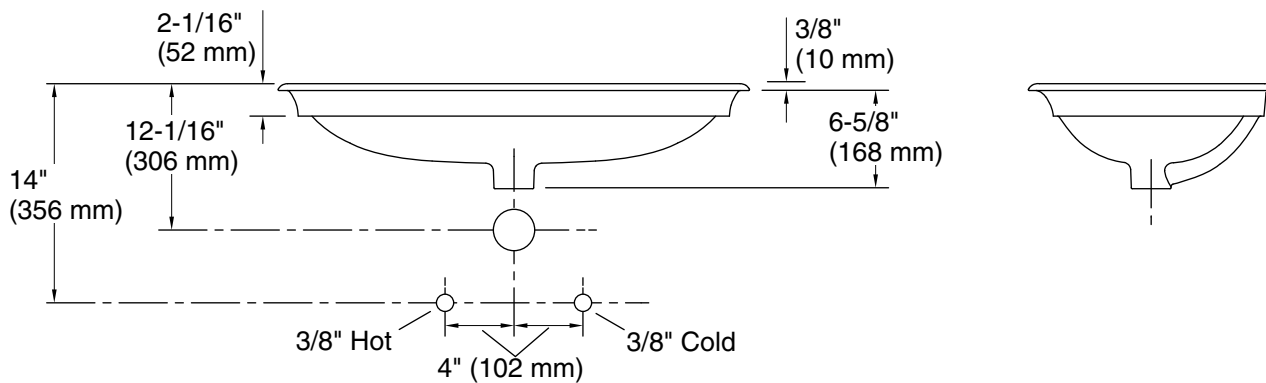
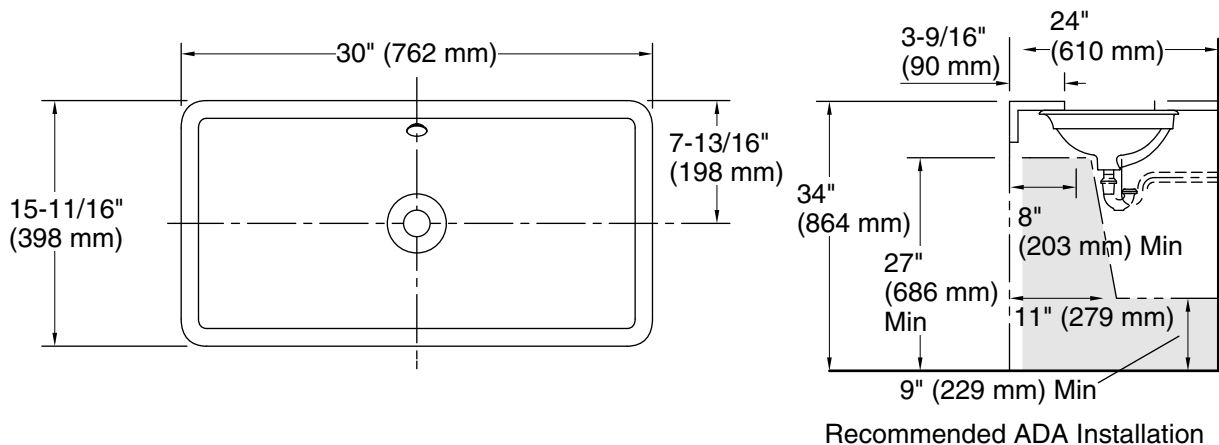
### Color Code Description

	42	Aspen Green
---	----	-------------



# Iron Plains®

30" rectangular drop-in / undermount / vessel  
bathroom sink  
**K-20212-PAG**



## Technical Information

All product dimensions are nominal.

Bowl configuration: Single

Bowl area (Only): Length: 28-13/16" (732 mm)  
Width: 14-7/16" (367 mm)  
Bowl depth: 4-3/4" (121 mm)  
Water depth: 3-5/16" (84 mm)

With overflow: Yes

Drain hole: 1-3/4" (44 mm)

Template: 1319048-7, required, included

## Notes

Install this product according to the installation instructions.

**NOTICE:** Countertop manufacturer or cutter must use the current product template available at [www.kohler.com](http://www.kohler.com) or by calling 1-800-4KOHLER. Kohler Co. is not responsible for cutout errors when the incorrect cut-out template is used.

ADA, CSA B651 compliant when installed to the specific requirements of these regulations.