



Underscore® Rectangle

60" x 32" alcove bath with right drain
K-20202-ZY

Features

- Convenient 19" step-over height retains the same depth as a standard 21" bath.
- Integral apron creates a clean, finished look.
- Integral lumbar support.
- Textured bottom surface.

Material

- Acrylic.

Installation

- Alcove.
- Integral flange.
- Right drain.

Recommended Products/Accessories

- K-23726 Drain treatment
- K-23732 Tub & shower cleaner



ADA

Codes/Standards

CSA B45.5/IAPMO Z124
ASTM E162
ASTM E662
ADA
ICC/ANSI A117.1

KOHLER® Plastic Baths and Receptors Lifetime Limited Warranty

See website for detailed warranty information.

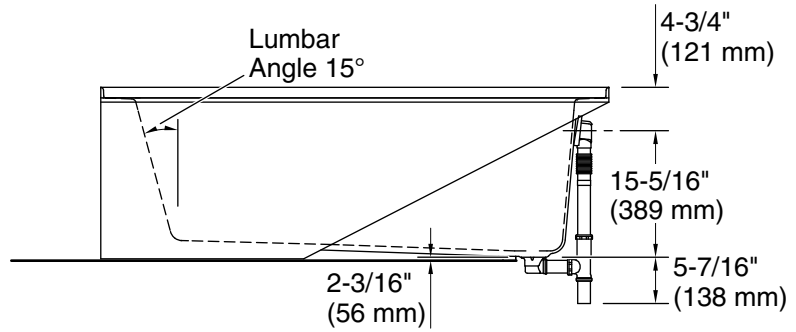
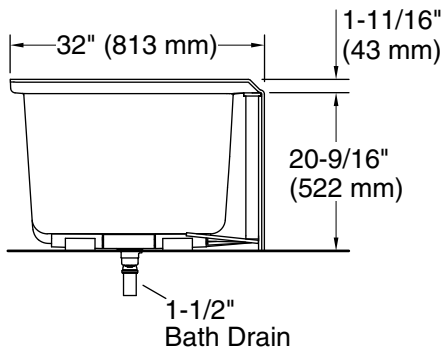
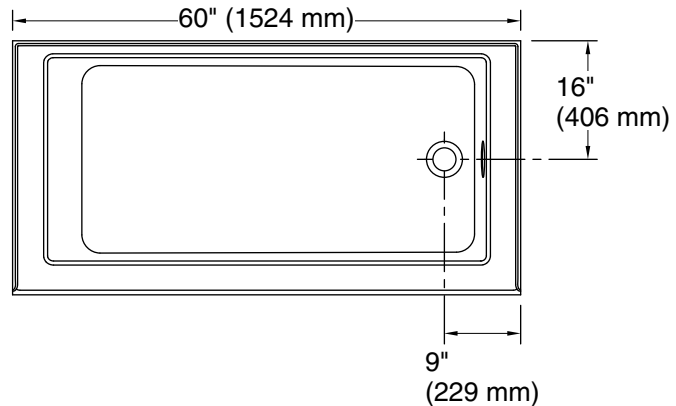
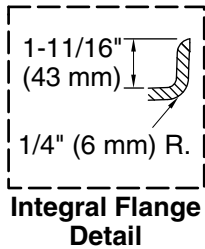
Available Colors/Finishes

Color tiles intended for reference only.

| Color | Code | Description |
|-------|------|-------------|
|-------|------|-------------|

| | | |
|--|---|-------|
|  | 0 | White |
|--|---|-------|

No change in measurements if connected with drain illustrated. (K-7259)



Technical Information

All product dimensions are nominal.

| | |
|------------------------|---|
| Installation: | Three-wall alcove |
| Drain location: | Right |
| Basin area, bottom: | 46-1/4" x 22" (1175 mm x 559 mm) |
| Basin area, top: | 52" x 24" (1321 mm x 610 mm) |
| Weight: | 100 lbs (45.4 kg) |
| Minimum floor load: | 56 lbs/ft ² (273.4 kg/m ²) |
| Water depth: | 15-1/2" (394 mm) |
| Water capacity: | 68 gal (257.4 L) |
| Minimum flat for door: | 2-3/4" (70 mm) |

Notes

- Measure your actual product for rough-in details. Install this product according to the installation instructions.
- The hot water supply should be 70% of the capacity of the bath or greater. Installations will vary.
- ADA compliant when installed to the specific requirements of these regulations.