



## Underscore® Rectangle

60" x 30" alcove bath with left drain  
**K-20201-ZZ**

### Features

- Convenient 19" step-over height retains the same depth as a standard 21" bath.
- Integral apron creates a clean, finished look.
- Integral lumbar support.
- Textured bottom surface.

### Material

- Acrylic.

### Installation

- Alcove.
- Integral flange.
- Left drain.

### Recommended Products/Accessories

K-23726 Drain treatment

K-23732 Tub & shower cleaner



ADA

### Codes/Standards

CSA B45.5/IAPMO Z124

ASTM E162

ASTM E662

ADA

ICC/ANSI A117.1

### KOHLER® Plastic Baths and Receptors Lifetime Limited Warranty

See website for detailed warranty information.

### Available Colors/Finishes

*Color tiles intended for reference only.*

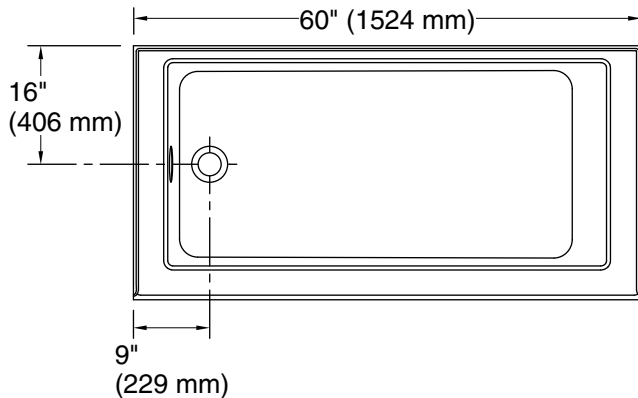
Color	Code	Description
-------	------	-------------

	0	White
--	---	-------

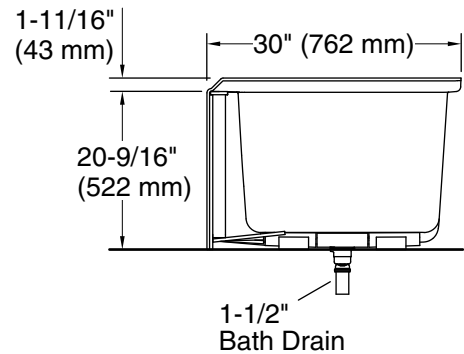
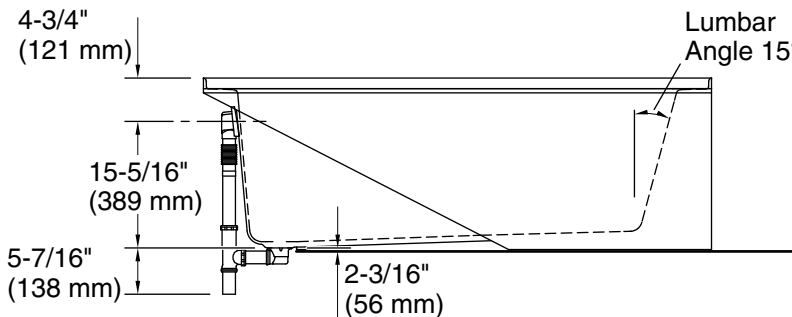
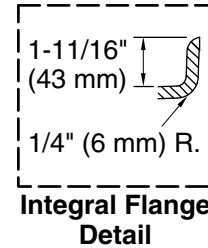


# Underscore® Rectangle

60" x 30" alcove bath with left drain  
**K-20201-ZZ**



No change in measurements if connected with drain illustrated. (K-7259)



## Technical Information

All product dimensions are nominal.

Installation:	Three-wall alcove
Drain location:	Left
Basin area, bottom:	46-1/4" x 22" (1175 mm x 559 mm)
Basin area, top:	52" x 24" (1321 mm x 610 mm)
Weight:	100 lbs (45.4 kg)
Minimum floor load:	56 lbs/ft <sup>2</sup> (273.4 kg/m <sup>2</sup> )
Water depth:	15-1/2" (394 mm)
Water capacity:	68 gal (257.4 L)
Minimum flat for door:	2-3/4" (70 mm)

## Notes

- Measure your actual product for rough-in details. Install this product according to the installation instructions.
- The hot water supply should be 70% of the capacity of the bath or greater. Installations will vary.
- ADA compliant when installed to the specific requirements of these regulations.