

Features

- Bask® heated surface creates spa-like relaxation with soothing warmth on your back and neck.
- Customize the heat with three adjustable settings.
- Spacious shape accommodates up to two bathers.
- Slotted overflow allows for deep soaking.
- Two raised corner seats.
- Extra-deep well.
- Center drain.
- Under-mountable

Material

- Acrylic

Installation

- Drop-in or under-mount.
- Requires 110V electrical service.

Additional Hydrotherapy Options

- Soaking Bath - 1968-0
- Soaking Bath + Bask heated surface - 1968-W1
- BubbleMassage air bath - 1969-G
- BubbleMassage air bath + chromatherapy - 1969-GCR
- VibrAcoustic + BubbleMassage air bath - 1969-GVB
- VibrAcoustic + BubbleMassage air bath + Bask heated surface + chromatherapy - 1969-GVBCW
- BubbleMassage air bath + Bask heated surface - 1969-GW
- Whirlpool + heater - 1969-H2
- VibrAcoustic - 1969-VB
- VibrAcoustic + chromatherapy - 1969-VBC
- VibrAcoustic + chromatherapy + Bask heated surface - 1969-VBCW
- VibrAcoustic + Bask heated surface - 1969-VBW
- Whirlpool + BubbleMassage air bath - 1969-XH2G

Recommended Products/Accessories

K-578 Cube Undermount Installation Kit
K-8134 Cable Bath Drain Trim Kit
K-8150 Cube Cable Drain
K-24916 Wireless Music Kit
K-1177 Vinyl Tiling-in Bead



Codes/Standards

CSA B45.5/IAPMO Z124
ASTM E162
ASTM E662
UL 1795
CSA C22.2 No. 218.2



**KOHLER® Plastic Baths and Receptors
Lifetime Limited Warranty
KOHLER® Hydrotherapy Components
Five-Year Limited Warranty**

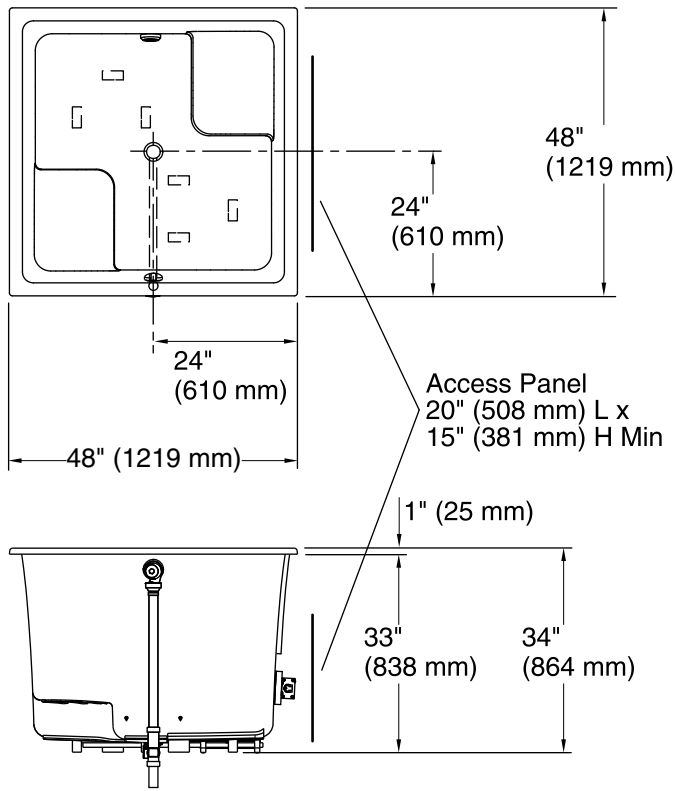
See website for detailed warranty information.

Available Colors/Finishes

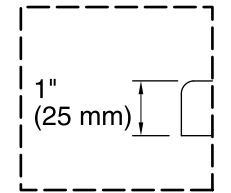
Color tiles intended for reference only.

Color	Code	Description
-------	------	-------------

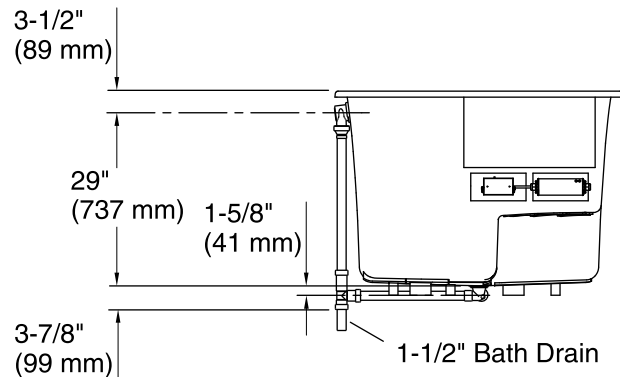
	0	White
	96	Biscuit



No change in measurements if connected with drain illustrated. (K-8150)



Drop-In Rim Detail



Required Electrical Service

One circuit required, protected with Class A Ground-Fault Circuit-Interrupter (GFCI). Outside North America, this device may be known as a Residual Current Device (RCD).

Heated Surface: 120 V, 15 A, 60 Hz

Technical Information

All product dimensions are nominal.

Installation:	Drop-in, Under-mount
Drain location:	Center
Basin area, bottom:	39-3/8" x 39-3/8" (1000 mm x 1000 mm)
Basin area, top:	44-5/8" x 44-5/8" (1133 mm x 1133 mm)
Weight:	116 lbs (52.6 kg)
Minimum floor load:	98 lbs/ft ² (478.5 kg/m ²)
Water depth:	27-1/2" (699 mm)
Water capacity:	171 gal (647.3 L)
Cutout:	Drop-in, 47" x 47" (1194 mm x 1194 mm)
Template:	K-578, not required, not included
Electrical component rating:	Heated Surface: 120 V, 0.5 A, 60 Hz, 65 W

Notes

Measure your actual product for rough-in details. Install this product according to the installation instructions.

The hot water supply should be 70% of the capacity of the bath or greater. Installations will vary.

Kit is required for under-mount installations (sold separately).