

Features

- VibrAcoustic calms and soothes with sound vibration technology.
- Six concealed speakers send sound waves through the water to gently massage the body.
- Six original instrumental compositions offer different levels of relaxation.
- Syncs with devices enabled with BLUETOOTH® wireless technology including smartphones, MP3 players, tablets, and laptops located up to 33 feet away.*
- Customize your experience with the high-resolution color touch screen.
- Fully adjustable volume above and below the water.
- Functions as a hydrotherapy bath when full of water and a stereo system when empty.
- Bask® heated surface creates spa-like relaxation with soothing warmth on your back, shoulders, and neck.
- Three heat settings allow you to customize the surface temperature.
- Freestanding design creates a striking focal point in your bathing area.
- 16-inch depth offers a deep soaking experience.
- Integral lumbar support.
- Textured bottom surface.
- Wide ledge on one side is ideal for deck-mount faucet and/or handshower.
- Includes 25 feet of wiring and amplifier.
- Center drain.
- Fluted shroud.

Material

- Acrylic

Hydrotherapy

- VibrAcoustic

Installation

- Freestanding
- PureFlo™ drains are not recommended for a deck-mount faucet installation.
- Requires 110V electrical service.

Additional Hydrotherapy Options

- Soaking Bath - K-6369-0
- Soaking Bath + Bask heated surface - K-6369-W1
- BubbleMassage air bath - K-1967-G
- BubbleMassage air bath + Bask heated surface - K-1967-GW
- VibrAcoustic - K-1967-VB
- VibrAcoustic + Bask heated surface - K-1967-VBW



Codes/Standards

CSA B45.5/IAPMO Z124
UL 1795
CSA C22.2 No. 218.2

KOHLER® Plastic Baths and Receptors Lifetime Limited Warranty



See website for detailed warranty information.

The BLUETOOTH® word mark and logos are registered trademarks owned by Bluetooth SIG, Inc. and any use of such marks by Kohler Co. is under license. Other trademarks and trade names are those of their respective owners.

Available Colors/Finishes

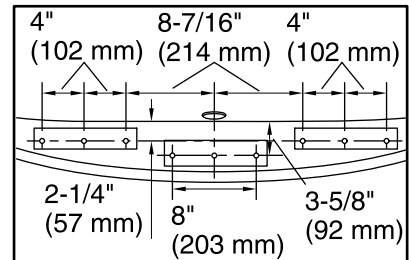
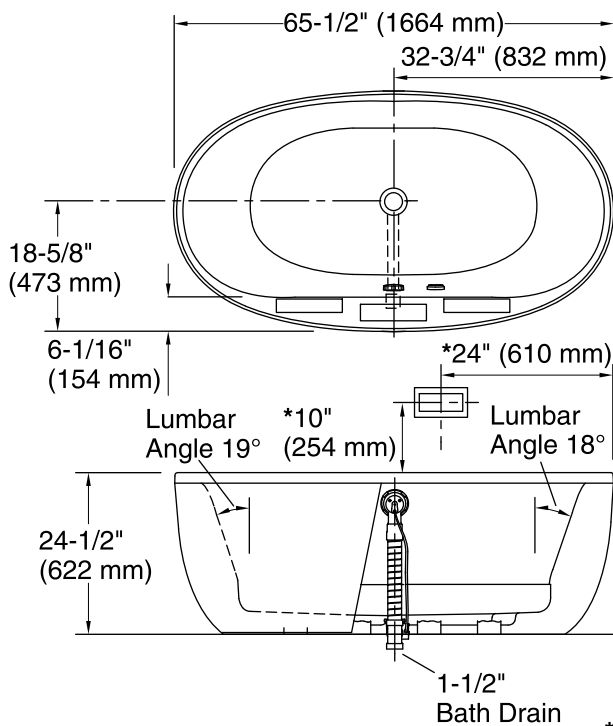
Color tiles intended for reference only.

Color Code Description

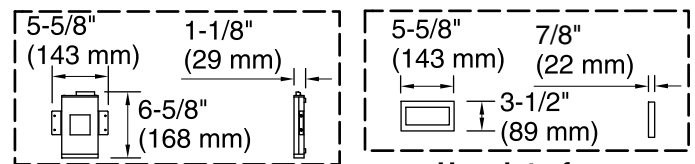
	0	White
	96	Biscuit

No change in measurements if connected with drain illustrated. (K-37383)

□ Recommended Faucet Location

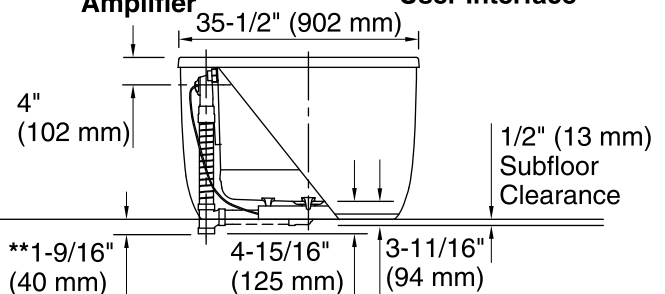


Recommended Faucet Hole Location



Amplifier

User Interface



**Allow for appropriate clearance in subfloor for drain clearance.
 Note: Horizontal PVC pipe and tee shown, not included.

*Recommended User Interface Location

Required Electrical Service

One circuit required, protected with Class A Ground-Fault Circuit-Interrupter (GFCI). Outside North America, this device may be known as a Residual Current Device (RCD).

Heated Surface, 120 V, 15 A, 60 Hz
 Amplifier:

Technical Information

All product dimensions are nominal.

Installation:	Freestanding
Drain location:	Center
Basin area, bottom:	45-3/4" x 24-7/8" (1162 mm x 632 mm)
Basin area, top:	54-7/8" x 29-3/16" (1394 mm x 741 mm)
Weight:	91 lbs (41.3 kg)
Minimum floor load:	40.4 lbs/ft² (197.3 kg/m²)
Water depth:	16" (406 mm)
Water capacity:	72.6 gal (274.8 L)
Template:	Footprint, 1245667, not required, not included
Electrical component rating:	Heated Surface: 120 V, 0.5 A, 50/60 Hz, 65 W Amplifier: 120 V, 1.1 A, 50/60 Hz

Notes

Measure your actual product for rough-in details. Install this product according to the installation instructions.

The hot water supply should be 70% of the capacity of the bath or greater. Installations will vary.

Control amplifier fits 16" (406 mm) center studs. 25' (7.6 m) cables are included.

Provide a separate grounded outlet if connecting to a powered wireless device or adapter.

If installing a rim-mount faucet, make sure there is no interference above or below the deck before drilling any holes.