

Features

- 118 to 122 airjets release thousands of bubbles that surround, support, and massage the body.
- Variable-speed blower lets you adjust massage intensity to 18 levels.
- Freestanding design creates a striking focal point in your bathing area.
- 16-inch depth offers a deep soaking experience.
- Integral lumbar support.
- Textured bottom surface.
- Wide ledge on one side is ideal for deck-mount faucet and/or handshower.
- Purge cycles remove residual water from air channels after use.
- Center drain.

Material

- Acrylic

Hydrotherapy

- BubbleMassage

Installation

- Freestanding
- PureFlo™ drains are not recommended for a deck-mount faucet installation.

Additional Hydrotherapy Options

- Soaking Bath - K-6369-0
- Soaking Bath + Bask heated surface - K-6369-W1
- BubbleMassage air bath - K-1967-G
- BubbleMassage air bath + Bask heated surface - K-1967-GW
- VibrAcoustic - K-1967-VB
- VibrAcoustic + Bask heated surface - K-1967-VBW

Recommended Products/Accessories

K-7265 Clearflo Bath Drain
K-37383 30" Rough-in Cable Bath Drain
K-37386 rough-in cable drain, PVC, 30" cable
K-24916 Wireless Music Kit



Codes/Standards

ASME A112.19.7/CSA B45.10
CSA B45.5/IAPMO Z124
UL 1795
CSA C22.2 No. 218.2

KOHLER® Plastic Baths and Receptors Lifetime Limited Warranty



KOHLER® Hydrotherapy Components Five-Year Limited Warranty

See website for detailed warranty information.

Available Colors/Finishes

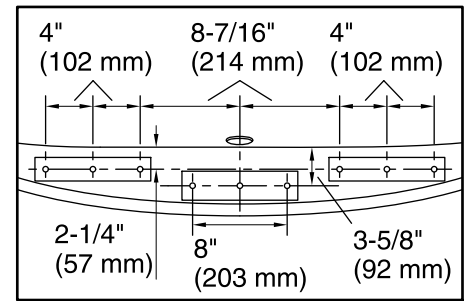
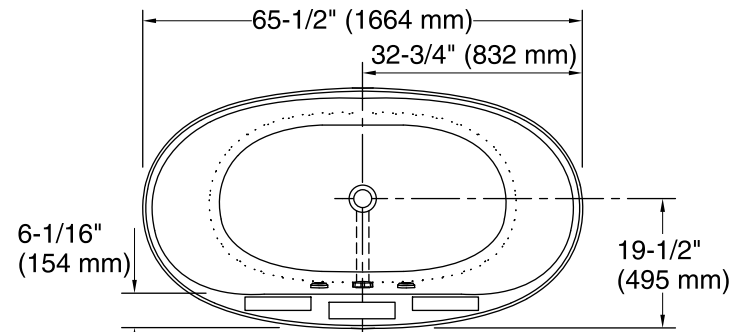
Color tiles intended for reference only.

Color Code Description

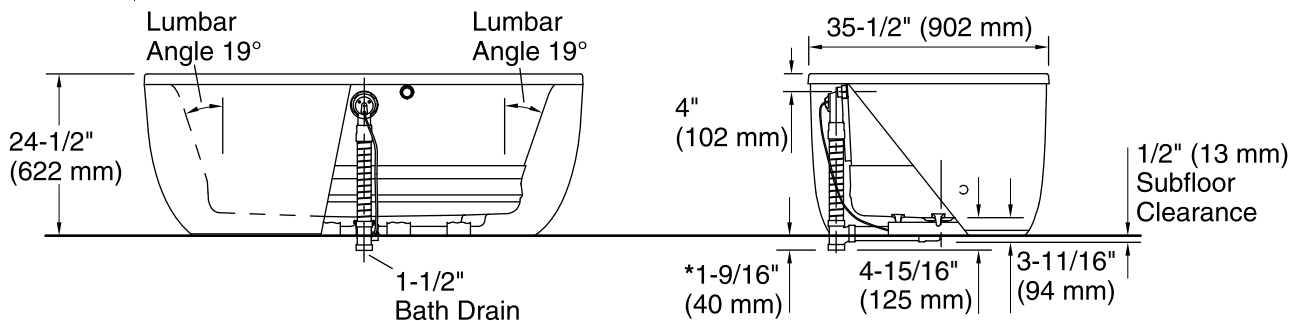
	0	White
	96	Biscuit

No change in measurements if connected with drain illustrated. (K-37383)

 Recommended Faucet Location



Recommended Faucet Hole Location



*Allow for appropriate clearance in subfloor for drain tee clearance.

Note: Horizontal PVC pipe and tee shown, not included.

Required Electrical Service

One dedicated circuit required, protected with Class A Ground-Fault Circuit-Interrupter (GFCI). Outside North America, this device may be known as a Residual Current Device (RCD).

Blower: 120 V, 15 A, 60 Hz

Technical Information

All product dimensions are nominal.

Installation: Freestanding
 Drain location: Center
 Basin area, bottom: 45-3/4" x 24-7/8" (1162 mm x 632 mm)
 Basin area, top: 54-7/8" x 29-3/16" (1394 mm x 741 mm)
 Weight: 91 lbs (41.3 kg)
 Minimum floor load: 40.4 lbs/ft² (197.3 kg/m²)
 Water depth: 16" (406 mm)
 Water capacity: 72.6 gal (274.8 L)
 Template: Footprint, 1245667, not required, not included
 Electrical component rating: Blower: 120 V, 10 A, 60 Hz

Notes

Measure your actual product for rough-in details. Install this product according to the installation instructions.

The hot water supply should be 70% of the capacity of the bath or greater. Installations will vary.

Remote blower motor installation is required. Relocation kit is included.

If installing a rim-mount faucet, make sure there is no interference above or below the deck before drilling any holes.