

#### Features

- Comfort Depth® design offers a convenient 19-inch step-over height while retaining the same depth as a standard 21-inch bath.
- Molded lumbar support offer extra comfort while bathing.
- Slotted overflow allows for deep soaking.
- Integral flange helps prevent water from seeping behind wall and simplifies alcove installation.
- Textured bottom surface
- Right-hand drain.
- Coordinates with other products in the Archer collection.

#### Material

- Acrylic

#### Installation

- Three-wall alcove.

#### Additional Hydrotherapy Options

- Soaking Bath - K-1946-R
- Soaking Bath + Bask heated surface - K-1946-RW
- BubbleMassage air bath - K-1947-GRF
- BubbleMassage air bath + Bask heated surface - K-1947-GRW
- VibrAcoustic - K-1947-VBR
- VibrAcoustic + Bask heated surface - K-1947-VBRW
- Whirlpool - K-1947-R
- Whirlpool + heater - K-1947-RH
- Whirlpool + Bask heated surface - K-1947-RW
- Whirlpool + BubbleMassage air bath - K-1947-XHGR

#### Required Products/Accessories

K-7271 Brass Slotted Overflow Bath Drain

or

K-7272 PVC Slotted Overflow Bath Drain

#### Recommended Products/Accessories

K-24916 Wireless Music Kit



ADA

#### Codes/Standards

CSA B45.5/IAPMO Z124

ADA










ICC/ANSI A117.1

#### KOHLER® Plastic Baths and Receptors Lifetime Limited Warranty

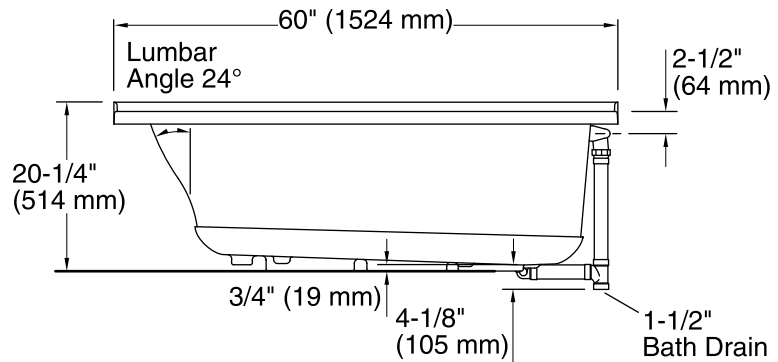
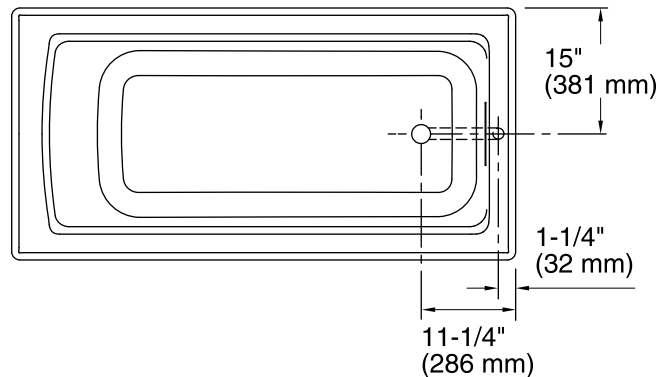
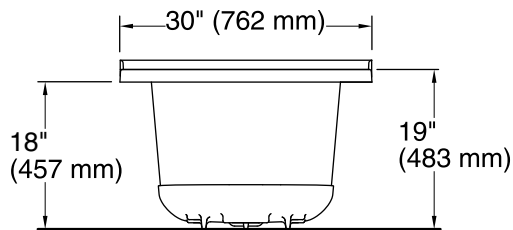
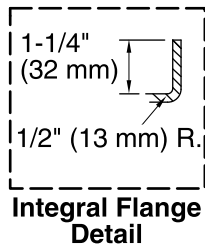
See website for detailed warranty information.

#### Available Colors/Finishes

*Color tiles intended for reference only.*

| Color  | Code | Description   |
|--|------|---------------|
|  | 0    | White         |
|  | 96   | Biscuit       |
|  | 47   | Almond        |
|  | NY   | Dune          |
|  | 95   | Ice™ Grey     |
|  | G9   | Sandbar       |
|  | K4   | Cashmere      |
|  | 58   | Thunder™ Grey |
|  | 7    | Black Black™  |

No change in measurements if connected with drain illustrated. (K-7272)



### Technical Information

All product dimensions are nominal.

|                        |   |
|------------------------|---|
| Installation:          | Three-wall alcove                                 |
| Drain location:        | Right   |
| Basin area, bottom:    | 45-1/8" x 19-11/16" (1146 mm x 500 mm)            |
| Basin area, top:       | 52-1/8" x 22-1/16" (1324 mm x 560 mm)             |
| Weight:                | 58 lbs (26.3 kg)                                  |
| Minimum floor load:    | 45 lbs/ft <sup>2</sup> (219.7 kg/m <sup>2</sup> ) |
| Water depth:           | 15-1/8" (384 mm)                                  |
| Water capacity:        | 57 gal (215.8 L)                                  |
| Minimum flat for door: | 2" (51 mm)  |

### Notes

- Measure your actual product for rough-in details.
- Install this product according to the installation instructions.
- The hot water supply should be 70% of the capacity of the bath or greater. Installations will vary.
- ADA compliant when installed to the specific requirements of these regulations.