

Features

- Low-threshold design for easy entry and exit.
- Single threshold for alcove installation with integral tile-in flange.
- Durable acrylic with resin concrete core construction.
- Center drain.
- Allows for quick and easy mortar-less installation.

Required Products/Accessories

K-706008-D3 Frameless Sliding Shower Door

or

K-706008-L Frameless Sliding Shower Door

or

K-706010-L Frameless Sliding Shower Door

Recommended Products/Accessories

K-9132 Shower Drain



Codes/Standards

CSA B45.5/IAPMO Z124

ASTM E162

ASTM E662


KOHLER® Plastic Baths and Receptors Lifetime Limited Warranty

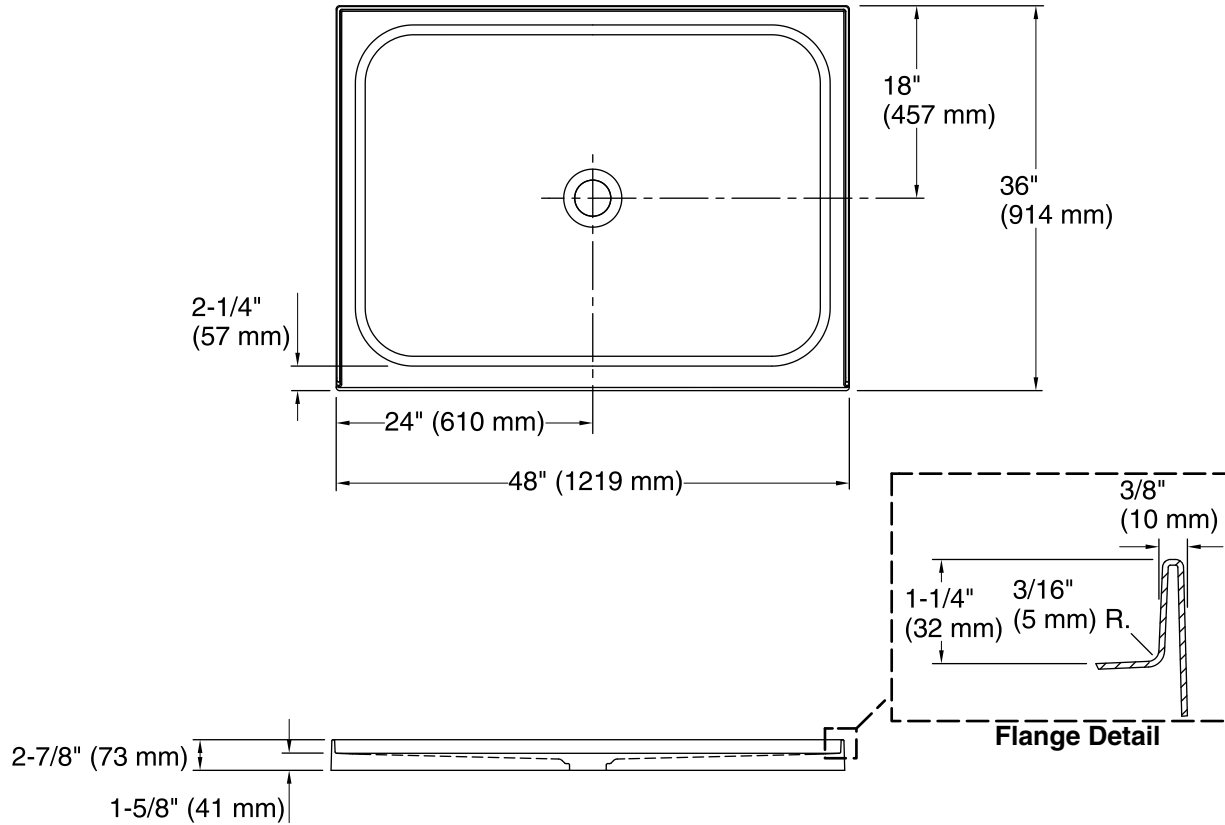
See website for detailed warranty information.

Available Colors/Finishes

Color tiles intended for reference only.

Color	Code	Description
-------	------	-------------

	0	White
--	---	-------



Technical Information

All product dimensions are nominal.

Installation:	Three-wall alcove
Drain location:	Center
Weight:	107 lbs (48.5 kg)
Minimum floor load:	12 lbs/ft ² (58.6 kg/m ²)

Notes

Measure your actual product for rough-in details. Install this product according to the installation instructions.

CAUTION: Risk of property damage and personal injury. Using this product without a shower door may cause water damage and may create a wet and potentially dangerous environment.

A shower door with a bottom track is required for this receptor. Kohler Co. shall not be responsible for problems encountered due to the installation and use of other manufacturer's shower doors.

Refer to Kohler Fixtures Price Book for complete list of required shower doors for this product.