

### Features

- Eight hydromassage jets can be individually adjusted for water flow and direction.
- Variable-speed pump for adjusting massage intensity.
- Lighted key pad.
- Built-in heater.
- Molded lumbar support offers extra comfort while bathing.
- Slotted overflow allows for deep soaking.
- Requires K-7271 or K-7272 Clearflo slotted overflow bath drain and K-9698 jet trim kit (sold separately).
- End drain.

### Material

- Acrylic

### Hydrotherapy

- Whirlpool

### Installation

- Drop-in or under-mount.
- Under-mount installation requires kit K-534 (sold separately).
- Requires 240V hard-wire electrical service.

### Additional Hydrotherapy Options

- Soaking Bath - 1848-0
- Soaking Bath + Bask heated surface - 1848-W1
- BubbleMassage air bath - 1849-G
- BubbleMassage air bath + chromatherapy - 1849-GCR
- VibrAcoustic + BubbleMassage air bath - 1849-GVB
- VibrAcoustic + BubbleMassage air bath + Bask heated surface + chromatherapy - 1849-GVBCW
- BubbleMassage air bath + Bask heated surface - 1849-GW
- Whirlpool + heater - 1849-H2
- VibrAcoustic - 1849-VB
- VibrAcoustic + chromatherapy - 1849-VBC
- VibrAcoustic + chromatherapy + Bask heated surface - 1849-VBCW
- VibrAcoustic + Bask heated surface - 1849-VBW
- Whirlpool + BubbleMassage air bath - 1849-XH2G

### Required Products/Accessories

K-7271 Brass Slotted Overflow Bath Drain  
K-9698 Flexjet® Whirlpool Trim Kit

or

K-7272 PVC Slotted Overflow Bath Drain

### Recommended Products/Accessories

K-1491 Bath/Whirlpool Pillow  
K-1601 Bath/Whirlpool Footstop  
K-1703 Whirlpool Remote Control



### Codes/Standards

ASME A112.19.7/CSA B45.10  
CSA B45.5/IAPMO Z124  
ASTM E162  
ASTM E662  
UL 1795

**KOHLER® Plastic Baths and Receptors  
Lifetime Limited Warranty  
KOHLER® Hydrotherapy Components  
Five-Year Limited Warranty**

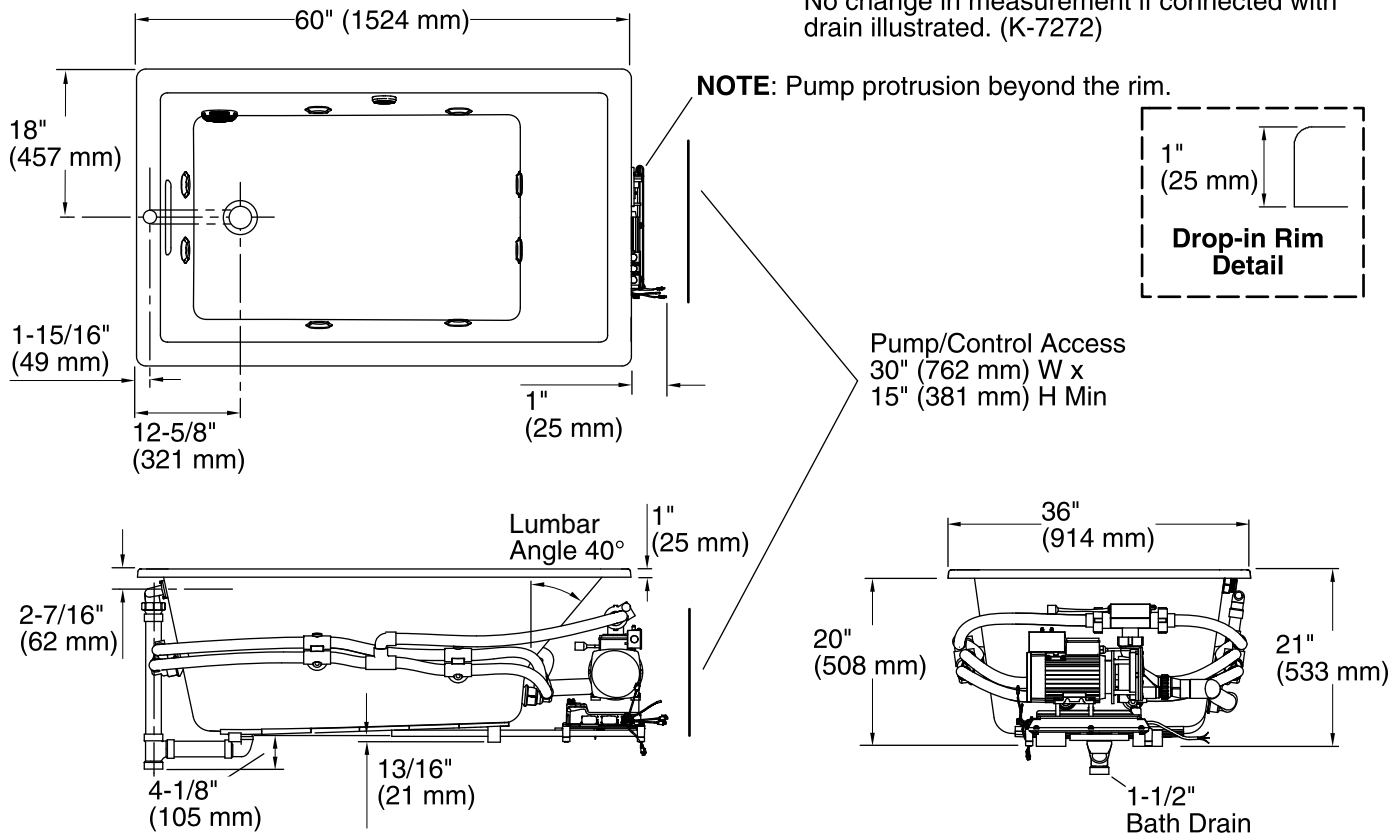
See website for detailed warranty information.

### Available Colors/Finishes

*Color tiles intended for reference only.*

Color	Code	Description
	0	White
	96	Biscuit
	47	Almond
	NY	Dune
	95	Ice™ Grey
	G9	Sandbar
	33	Mexican Sand™
	K4	Cashmere
	58	Thunder™ Grey
	7	Black Black™

No change in measurement if connected with drain illustrated. (K-7272)



### Required Electrical Service

One dedicated circuit required, protected with Class A Ground-Fault Circuit-Interrupter (GFCI). Outside North America, this device may be known as a Residual Current Device (RCD).

Pump, Heater: 240 V, 20 A, 50/60 Hz

### Technical Information

All product dimensions are nominal.

Installation:	Drop-in, Under-mount
Drain location:	End
Basin area, bottom:	39-9/16" x 24-11/16" (1005 mm x 627 mm)
Basin area, top:	53-5/8" x 29-1/2" (1362 mm x 749 mm)
Weight:	125 lbs (56.7 kg)
Minimum floor load:	56 lbs/ft <sup>2</sup> (273.4 kg/m <sup>2</sup> )
Water depth:	17-1/8" (435 mm)
Water capacity:	81.1 gal (307 L)
Cutout:	Drop-in, 59-1/2" x 35-1/2" (1511 mm x 902 mm)
Electrical component rating:	Pump: 240 V, 11 A, 50/60 Hz Heater: 240 V, 50/60 Hz, 1500 W
Pump speed:	Variable
Minimum flat for door:	2-11/16" (68 mm)

### Notes

Measure your actual product for rough-in details. Install this product according to the installation instructions.

The hot water supply should be 70% of the capacity of the bath or greater. Installations will vary.