



Underscore® Rectangle

5' BubbleMassage™ Bath

K-1849-G

Features

- 122 airjets release thousands of bubbles that surround, support, and massage the body.
- Variable-speed blower lets you adjust massage intensity to 18 levels.
- Zones of Control feature allows you to target massage to back, midsection, or feet.
- Lighted keypad.
- Molded lumbar support offers extra comfort while bathing.
- Slotted overflow allows for deep soaking.
- Immediate and manual purge cycles remove residual water from air channels after use.
- Requires K-7271 or K-7272 Clearflo slotted overflow bath drain (sold separately).
- End drain

Material

- Acrylic

Hydrotherapy

- BubbleMassage

Installation

- Drop-in or under-mount.
- Under-mount installation requires kit K-534 (sold separately).
- Requires 240V hard-wire electrical service.

Additional Hydrotherapy Options

- Soaking Bath - 1848-0
- Soaking Bath + Bask heated surface - 1848-W1
- BubbleMassage air bath - 1849-G
- BubbleMassage air bath + chromatherapy - 1849-GCR
- VibrAcoustic + BubbleMassage air bath - 1849-GVB
- VibrAcoustic + BubbleMassage air bath + Bask heated surface + chromatherapy - 1849-GVBCW
- BubbleMassage air bath + Bask heated surface - 1849-GW
- Whirlpool + heater - 1849-H2
- VibrAcoustic - 1849-VB
- VibrAcoustic + chromatherapy - 1849-VBC
- VibrAcoustic + chromatherapy + Bask heated surface - 1849-VBCW
- VibrAcoustic + Bask heated surface - 1849-VBW
- Whirlpool + BubbleMassage air bath - 1849-XH2G

Required Products/Accessories

K-7271 Brass Slotted Overflow Bath Drain

or

K-7272 PVC Slotted Overflow Bath Drain



Codes/Standards

ASME A112.19.7/CSA B45.10

CSA B45.5/IAPMO Z124

ASTM E162

UL 1795

KOHLER® Plastic Baths and Receptors

Lifetime Limited Warranty

KOHLER® Hydrotherapy Components

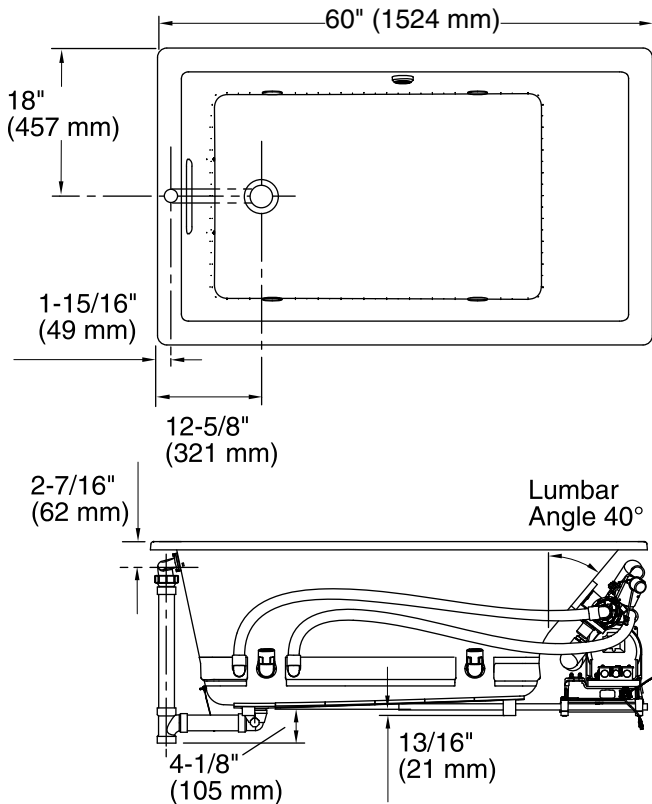
Five-Year Limited Warranty

See website for detailed warranty information.

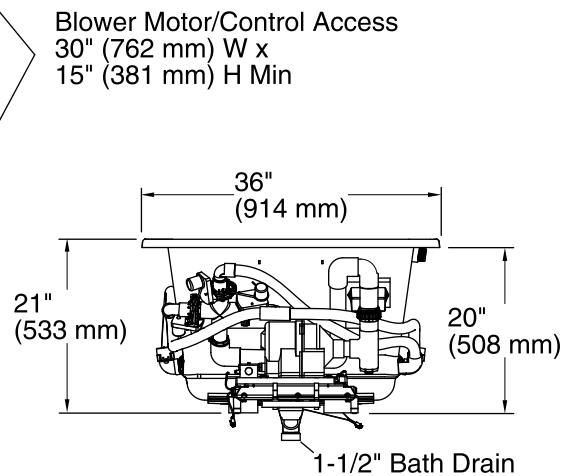
Available Colors/Finishes

Color tiles intended for reference only.

Color	Code	Description
	0	White
	96	Biscuit
	47	Almond
	NY	Dune
	95	Ice™ Grey
	G9	Sandbar
	K4	Cashmere
	58	Thunder™ Grey
	7	Black Black™



No change in measurement if connected with drain illustrated. (K-7272)



Required Electrical Service

One dedicated circuit required, protected with Class A Ground-Fault Circuit-Interrupter (GFCI). Outside North America, this device may be known as a Residual Current Device (RCD).

Blower: 240 V, 15 A, 50/60 Hz

Technical Information

All product dimensions are nominal.

Installation:	Drop-in, Under-mount
Drain location:	End
Basin area, bottom:	39-9/16" x 24-11/16" (1005 mm x 627 mm)
Basin area, top:	53-5/8" x 29-1/2" (1362 mm x 749 mm)
Weight:	100 lbs (45.4 kg)
Minimum floor load:	54 lbs/ft ² (263.7 kg/m ²)
Water depth:	17-1/8" (435 mm)
Water capacity:	81.1 gal (307 L)
Cutout:	Drop-in, 59-1/2" x 35-1/2" (1511 mm x 902 mm)
Electrical component rating:	Blower: 240 V, 5 A, 50/60 Hz
Blower speed:	Variable
Minimum flat for door:	2-11/16" (68 mm)

Notes

Measure your actual product for rough-in details. Install this product according to the installation instructions.

The hot water supply should be 70% of the capacity of the bath or greater. Installations will vary.

If relocating the blower motor, do not relocate or alter the PVC tee or coiled flexible tubing connected to the blower. Follow the blower relocation instructions exactly. Provide access for servicing the blower.