



Underscore® Rectangle

6' BubbleMassage™ Bath

K-1835-G

Features

- 122 airjets release thousands of bubbles that surround, support, and massage the body.
- Variable-speed blower lets you adjust massage intensity to 18 levels.
- Zones of Control feature allows you to target massage to back, midsection, or feet.
- Lighted keypad.
- Generous 6-foot length provides an incredibly spacious bathing area.
- Molded lumbar support offers extra comfort while bathing.
- Slotted overflow allows for deep soaking.
- Immediate and manual purge cycles remove residual water from air channels after use.
- Requires K-7271 or K-7272 Clearflo slotted overflow bath drain (sold separately).
- Center drain.

Material

- Acrylic

Hydrotherapy

- BubbleMassage

Installation

- Drop-in or under-mount.
- Under-mount installation requires kit K-593 (sold separately).
- Requires 240V hard-wire electrical service.

Additional Hydrotherapy Options

- Soaking Bath - 1834-0
- Soaking Bath + Bask heated surface - 1834-W1
- BubbleMassage air bath - 1835-G
- BubbleMassage air bath + chromatherapy - 1835-GCR
- VibrAcoustic + BubbleMassage air bath - 1835-GVB
- VibrAcoustic + BubbleMassage air bath + Bask heated surface + chromatherapy - 1835-GVBCW
- BubbleMassage air bath + Bask heated surface - 1835-GW
- Whirlpool + heater - 1835-H2
- VibrAcoustic - 1835-VB
- VibrAcoustic + chromatherapy - 1835-VBC
- VibrAcoustic + chromatherapy + Bask heated surface - 1835-VBCW
- VibrAcoustic + Bask heated surface - 1835-VBW
- Whirlpool + BubbleMassage air bath - 1835-XH2G

Required Products/Accessories

K-7271 Brass Slotted Overflow Bath Drain

or

K-7272 PVC Slotted Overflow Bath Drain



Codes/Standards

ASME A112.19.7/CSA B45.10
 CSA B45.5/IAPMO Z124
 ASTM E162
 ASTM E662
 UL 1795

**KOHLER® Plastic Baths and Receptors
 Lifetime Limited Warranty
 KOHLER® Hydrotherapy Components
 Five-Year Limited Warranty**

See website for detailed warranty information.

Available Colors/Finishes

Color tiles intended for reference only.

Color	Code	Description
	0	White
	96	Biscuit
	47	Almond
	NY	Dune
	95	Ice™ Grey
	G9	Sandbar
	K4	Cashmere
	58	Thunder™ Grey
	7	Black Black™

1-800-4KOHLER (1-800-456-4537)

Kohler Co. reserves the right to make revisions without notice to product specifications.

For the most current Specification Sheet, go to www.kohler.com.

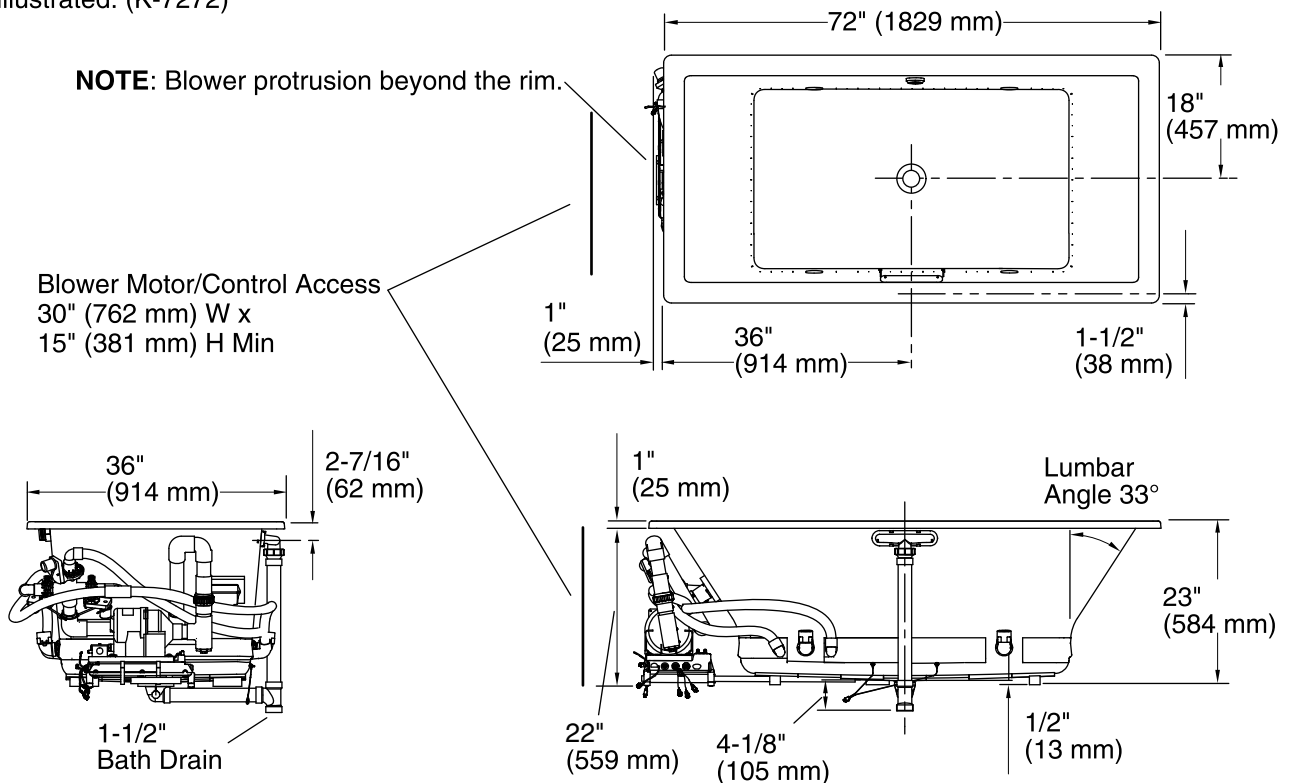
9-7-2019 07:31 - US/CA



No change in measurement if connected with drain illustrated. (K-7272)

NOTE: Blower protrusion beyond the rim.

Blower Motor/Control Access
30" (762 mm) W x
15" (381 mm) H Min



Required Electrical Service

One dedicated circuit required, protected with Class A Ground-Fault Circuit-Interrupter (GFCI). Outside North America, this device may be known as a Residual Current Device (RCD).

Blower: 240 V, 15 A, 50/60 Hz

Technical Information

All product dimensions are nominal.

Installation: Drop-in, Under-mount
 Drain location: Center
 Basin area, bottom: 45-3/4" x 25-15/16" (1162 mm x 659 mm)
 Basin area, top: 65-3/8" x 29-5/16" (1661 mm x 745 mm)
 Weight: 107 lbs (48.5 kg)
 Minimum floor load: 60 lbs/ft² (292.9 kg/m²)
 Water depth: 19-7/16" (494 mm)
 Water capacity: 112.9 gal (427.4 L)
 Cutout: Drop-in, 71-1/2" x 35-1/2" (1816 mm x 902 mm)
 Electrical component rating: Blower: 240 V, 5 A, 50/60 Hz
 Blower speed: Variable
 Minimum flat for door: 2-3/4" (69 mm)

Notes

Measure your actual product for rough-in details. Install this product according to the installation instructions.

The hot water supply should be 70% of the capacity of the bath or greater. Installations will vary.

Kit is required for under-mount installations (sold separately).

If relocating the blower motor, do not relocate or alter the PVC tee or coiled flexible tubing connected to the blower. Follow the blower relocation instructions exactly. Provide access for servicing the blower.