

Features

- 8 hydromassage jets can be individually adjusted for water flow and direction.
- Variable-speed pump for adjusting massage intensity.
- Built-in heater.
- Lighted keypad.
- Sloping backrest provides comfort.
- Slotted overflow allows for deep soaking.
- Requires K-7271 or K-7272 Clearflo slotted overflow bath drain and K-9698 jet trim kit (sold separately).

Material

- Acrylic

Hydrotherapy

- Whirlpool

Installation

- Drop-in or under-mount.

Additional Hydrotherapy Options

- Soaking Bath - 1821-0
- Soaking Bath + Bask heated surface - 1821-W1
- BubbleMassage air bath - 1822-G
- BubbleMassage air bath + chromatherapy - 1822-GCR
- VibrAcoustic + BubbleMassage air bath - 1822-GVB
- VibrAcoustic + BubbleMassage air bath + Bask heated surface + chromatherapy - 1822-GVBCW
- BubbleMassage air bath + Bask heated surface - 1822-GW
- Whirlpool + heater - 1822-H2
- VibrAcoustic - 1822-VB
- VibrAcoustic + chromatherapy - 1822-VBC
- VibrAcoustic + chromatherapy + Bask heated surface - 1822-VBCW
- VibrAcoustic + Bask heated surface - 1822-VBW
- Whirlpool + BubbleMassage air bath - 1822-XH2G

Required Products/Accessories

K-7271 Brass Slotted Overflow Bath Drain
K-9698 Flexjet® Whirlpool Trim Kit

or

K-7272 PVC Slotted Overflow Bath Drain

Recommended Products/Accessories

K-1491 Bath/Whirlpool Pillow
K-1601 Bath/Whirlpool Footstop
K-1703 Whirlpool Remote Control
K-550 Under-Mount Installation Kit
K-9497 2-1/2" Keypad Trim
K-24916 Wireless Music Kit
K-1177 Vinyl Tiling-in Bead



Codes/Standards











ASME A112.19.7/CSA B45.10
CSA B45.5/IAPMO Z124
ASTM E162
ASTM E662
UL 1795

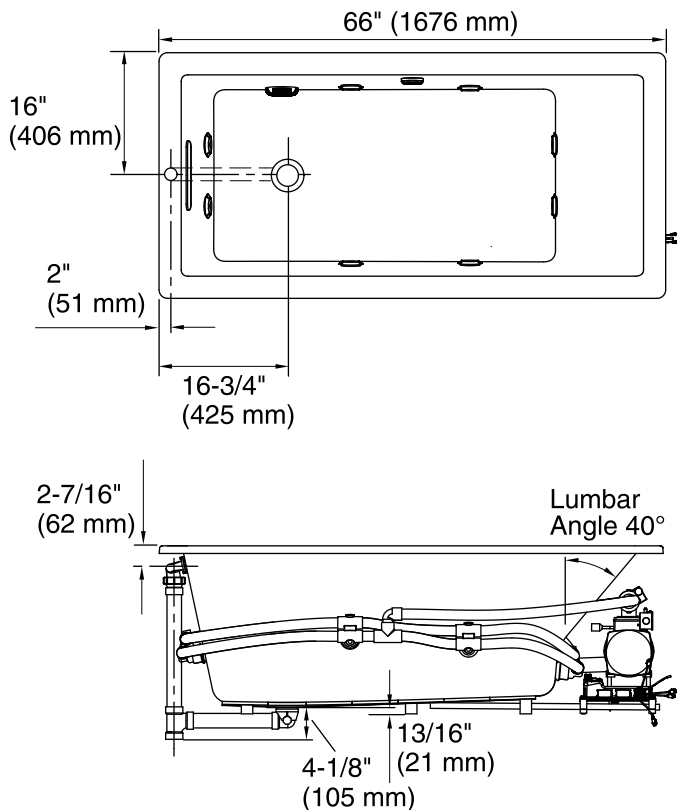
**KOHLER® Plastic Baths and Receptors
Lifetime Limited Warranty
KOHLER® Hydrotherapy Components
Five-Year Limited Warranty**

See website for detailed warranty information.

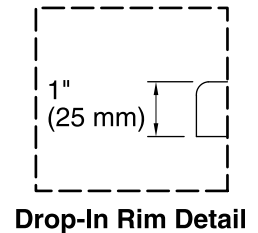
Available Colors/Finishes

Color tiles intended for reference only.

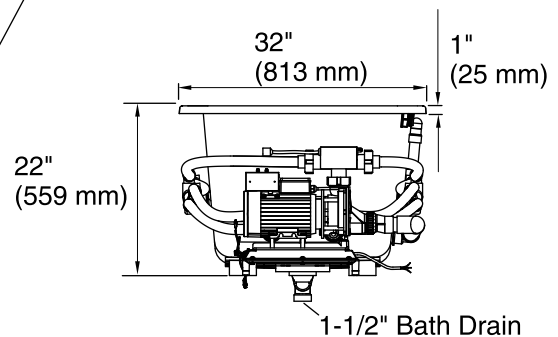
Color	Code	Description
	0	White
	96	Biscuit
	47	Almond
	NY	Dune
	95	Ice™ Grey
	G9	Sandbar
	33	Mexican Sand™
	K4	Cashmere
	58	Thunder™ Grey
	7	Black Black™



No change in measurement if connected with drain illustrated. (K-7272)



Pump/Control Access
 30" (762 mm) W x
 15" (381 mm) H Min



Required Electrical Service

One dedicated circuit required, protected with Class A Ground-Fault Circuit-Interrupter (GFCI). Outside North America, this device may be known as a Residual Current Device (RCD).

Pump, Heater: 240 V, 20 A, 50/60 Hz

Technical Information

All product dimensions are nominal.

Installation:	Drop-in, Under-mount
Drain location:	End
Basin area, bottom:	44-1/2" x 22-5/16" (1130 mm x 567 mm)
Basin area, top:	59-5/8" x 25-1/2" (1514 mm x 648 mm)
Weight:	136 lbs (61.7 kg)
Minimum floor load:	83 lbs/ft ² (405.2 kg/m ²)
Water depth:	18" (457 mm)
Water capacity:	85.8 gal (324.8 L)
Cutout:	Drop-in, 64-1/2" x 30-1/2" (1638 mm x 775 mm)
Electrical component rating:	Pump: 240 V, 11 A, 50/60 Hz Heater: 240 V, 50/60 Hz, 1500 W
Pump speed:	Variable
Minimum flat for door:	2-1/2" (64 mm)

Notes

Measure your actual product for rough-in details. Install this product according to the installation instructions.

The hot water supply should be 70% of the capacity of the bath or greater. Installations will vary.

Kit is required for under-mount installations (sold separately).