



Underscore® Rectangle

5.5' BubbleMassage™ Bath

K-1822-GCR

Features

- 122 airjets release thousands of bubbles that surround, support, and massage the body.
- Variable-speed blower lets you adjust massage intensity to 18 levels.
- Zones of Control feature allows you to target massage to back, midsection, or feet.
- Chromatherapy lighting allows you to select a preferred color scheme to suit your mood.
- Lighted keypad.
- Sloping backrest provides comfort.
- Slotted overflow allows for deep soaking.
- Immediate and manual purge cycles remove residual water from air channels after use.
- Requires K-7271 or K-7272 Clearflo slotted overflow bath drain (sold separately).

Material

- Acrylic

Hydrotherapy

- BubbleMassage
- Chromatherapy

Installation

- Drop-in or under-mount.

Additional Hydrotherapy Options

- Soaking Bath - 1821-0
- Soaking Bath + Bask heated surface - 1821-W1
- BubbleMassage air bath - 1822-G
- BubbleMassage air bath + chromatherapy - 1822-GCR
- VibrAcoustic + BubbleMassage air bath - 1822-GVB
- VibrAcoustic + BubbleMassage air bath + Bask heated surface + chromatherapy - 1822-GVBCW
- BubbleMassage air bath + Bask heated surface - 1822-GW
- Whirlpool + heater - 1822-H2
- VibrAcoustic - 1822-VB
- VibrAcoustic + chromatherapy - 1822-VBC
- VibrAcoustic + chromatherapy + Bask heated surface - 1822-VBCW
- VibrAcoustic + Bask heated surface - 1822-VBW
- Whirlpool + BubbleMassage air bath - 1822-XH2G

Required Products/Accessories

K-7271 Brass Slotted Overflow Bath Drain

or

K-7272 PVC Slotted Overflow Bath Drain



Codes/Standards

ASME A112.19.7/CSA B45.10
CSA B45.5/IAPMO Z124
ASTM E162
UL 1795

KOHLER® Plastic Baths and Receptors Lifetime Limited Warranty

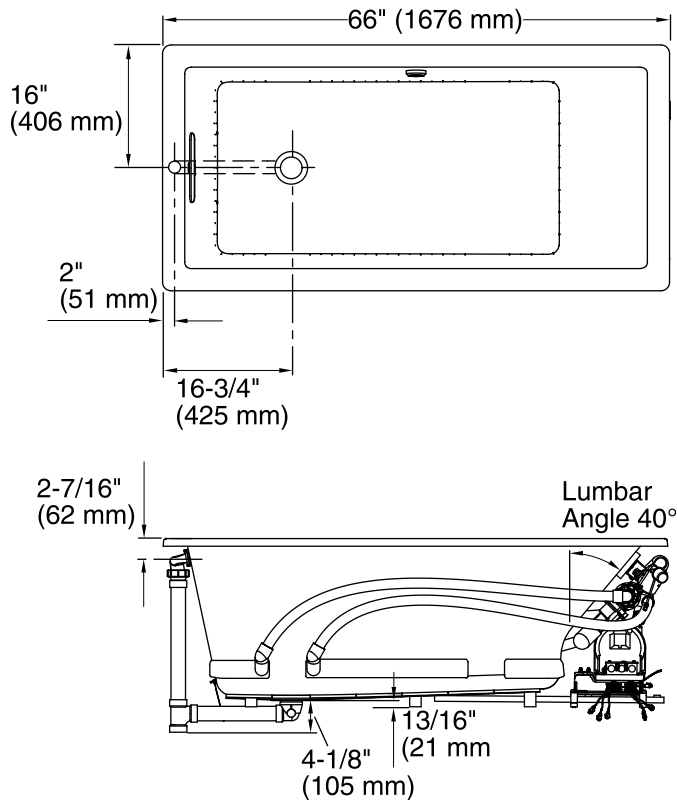
KOHLER® Hydrotherapy Components Five-Year Limited Warranty

See website for detailed warranty information.

Available Colors/Finishes

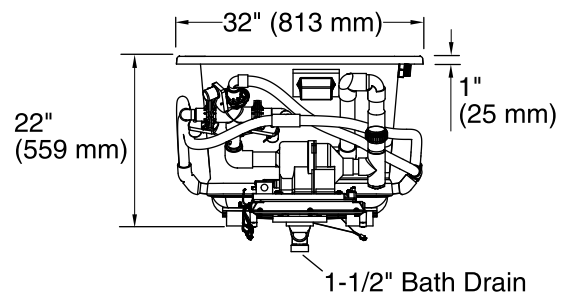
Color tiles intended for reference only.

Color	Code	Description
	0	White
	96	Biscuit
	47	Almond
	NY	Dune
	95	Ice™ Grey
	G9	Sandbar
	K4	Cashmere
	58	Thunder™ Grey
	7	Black Black™



No change in measurement if connected with drain illustrated. (K-7272)

Blower Motor/Control Access
 30" (762 mm) W x
 15" (381 mm) H Min



Required Electrical Service

One dedicated circuit required, protected with Class A Ground-Fault Circuit-Interrupter (GFCI). Outside North America, this device may be known as a Residual Current Device (RCD).

Blower: 240 V, 15 A, 50/60 Hz

Technical Information

All product dimensions are nominal.

Installation:	Drop-in, Under-mount
Drain location:	End
Basin area, bottom:	44-1/2" x 22-5/16" (1130 mm x 567 mm)
Basin area, top:	59-5/8" x 25-1/2" (1514 mm x 648 mm)
Weight:	111 lbs (50.3 kg)
Minimum floor load:	50 lbs/ft ² (244.1 kg/m ²)
Water depth:	18" (457 mm)
Water capacity:	85.8 gal (324.8 L)
Cutout:	Drop-in, 64-1/2" x 30-1/2" (1638 mm x 775 mm)
Electrical component rating:	Blower: 240 V, 5 A, 50/60 Hz
Blower speed:	Variable
Minimum flat for door:	2-1/2" (64 mm)

Notes

Measure your actual product for rough-in details. Install this product according to the installation instructions.

The hot water supply should be 70% of the capacity of the bath or greater. Installations will vary.

Kit is required for under-mount installations (sold separately).

If relocating the blower motor, do not relocate or alter the PVC tee or coiled flexible tubing connected to the blower. Follow the blower relocation instructions exactly. Provide access for servicing the blower.