



Chesapeake™

Wall-Mount Bathroom Sink

K-1729

Features

- Made from premium materials that withstand high-volume usage
- Constructed of vitreous china
- 20"L x 18-1/4"W
- Wall-mount installation
- Faucet not included
- Ledge-back
- Includes wall hanger
- Drilled for concealed arm carrier

Recommended Products/Accessories

K-8998 P-Trap

Included Components

Additional Components:
Hanger(s)



ADA CSA B651

Codes/Standards




ASME A112.19.2/CSA B45.1
ADA
ICC/ANSI A117.1
CSA B651

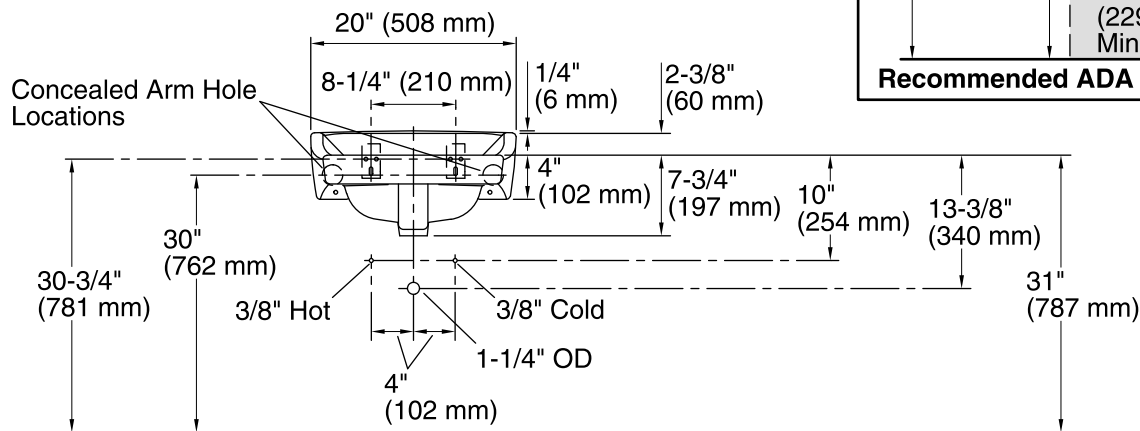
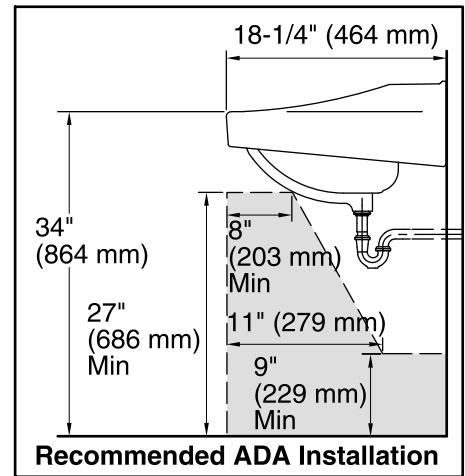
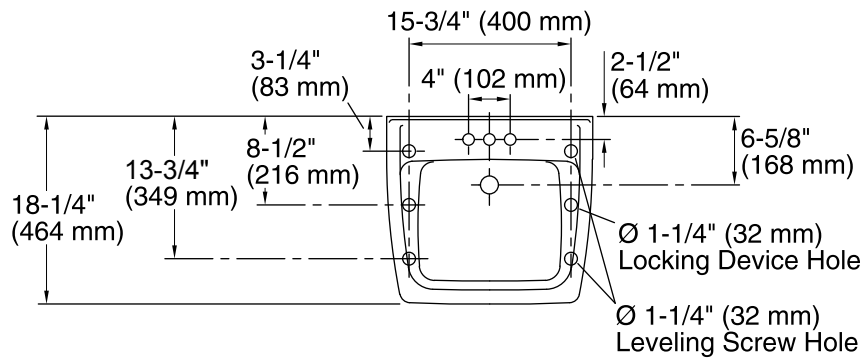
KOHLER® One-Year Limited Warranty

See website for detailed warranty information.

Available Colors/Finishes

Color tiles intended for reference only.

Color	Code	Description
	0	White
	96	Biscuit
	47	Almond



Standard Installation

Technical Information

All product dimensions are nominal.

Bowl configuration: Single
 Installation: Wall-mount
 Bowl area (Only): Length: 14" (356 mm)
 Width: 12" (305 mm)
 With overflow: Yes
 Water depth: 4-7/8" (124 mm)

Number of deck holes: 3
 Faucet hole spacing: 4" (102 mm)
 Faucet hole(s): 1-1/4" (32 mm)
 Drain hole: 1-3/4" (44 mm)

Notes

Install this product according to the installation instructions.

ADA, CSA B651 compliant when installed to the specific requirements of these regulations.