

Features

- Integral soap ledges.
- Single threshold for corner installation.
- Durable acrylic construction.
- Center drain.
- Requires K-9459 Sonata accessory kit (sold separately).
- Steam compatible with KOHLER steam door and steam generator kit (sold separately).
- Please contact your distributor for this product's pricing information.

Required Products/Accessories

K-9459 Grab Bar and Shelf Accessory Kit

Recommended Products/Accessories

K-1665 Shower Light
K-9132 Shower Drain
K-702013-L Frameless Pivot Shower Door
K-1695 Steam Generator



Codes/Standards

CSA B45.5/IAPMO Z124
ASTM E162
ASTM E662



KOHLER® Plastic Baths and Receptors Lifetime Limited Warranty

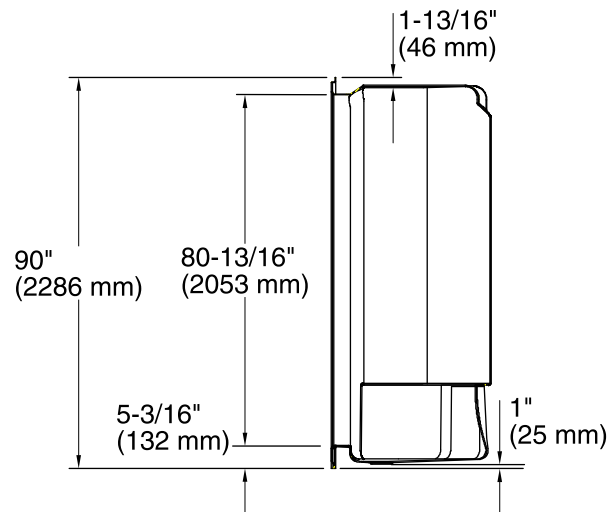
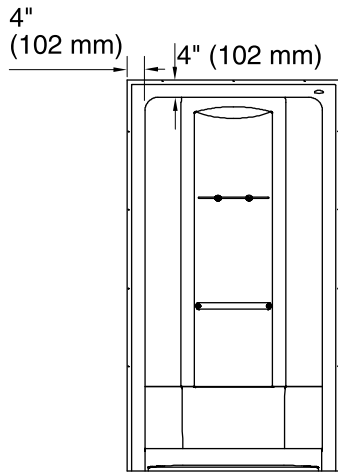
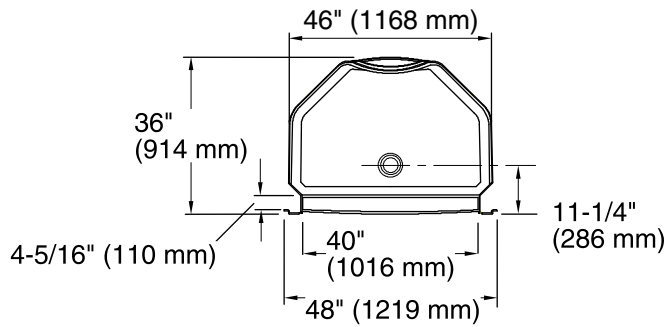
See website for detailed warranty information.

Available Colors/Finishes

Color tiles intended for reference only.

Color	Code	Description
-------	------	-------------

	0	White
	96	Biscuit



Technical Information

All product dimensions are nominal.

Installation:	Corner
Drain location:	Center
Drain hole diameter:	3-3/8" (86 mm)
Weight:	148 lbs (67.1 kg)
Minimum floor load:	39 lbs/ft ² (190.4 kg/m ²)

Notes

Measure your actual product for rough-in details.
 Install this product according to the installation instructions.