

Features

- Integral soap ledges.
- Single threshold for alcove installation.
- Durable acrylic construction.
- Center drain.
- Requires the K-9459 Sonata accessory kit (sold separately).
- Please contact your distributor for this product's pricing information.

Recommended Products/Accessories

K-1665 Shower Light
K-1695 Steam Generator
K-9499 Removable Shower Seat
K-9132 Shower Drain
K-9459 Grab Bar and Shelf Accessory Kit
K-702221-L Frameless Sliding Shower Door
K-5526 7 kW Steam Generator
K-5557 steam generator control kit



Codes/Standards




CSA B45.5/IAPMO Z124
ASTM E162
ASTM E662

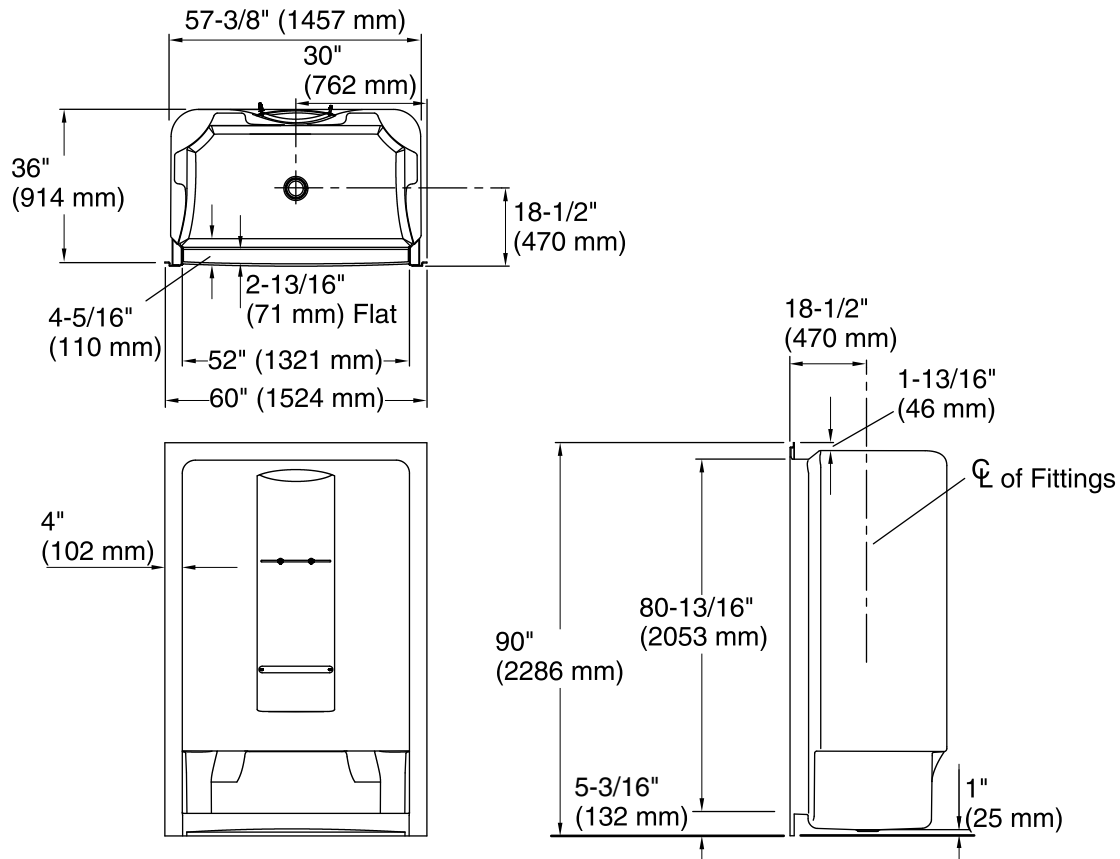
KOHLER® Plastic Baths and Receptors Lifetime Limited Warranty

See website for detailed warranty information.

Available Colors/Finishes

Color tiles intended for reference only.

Color	Code	Description
	0	White
	96	Biscuit
	G9	Sandbar



Technical Information

All product dimensions are nominal.

Installation:	Three-wall alcove
Drain location:	Center
Drain hole diameter:	3-3/8" (86 mm)
Weight:	200 lbs (90.7 kg)
Minimum floor load:	28 lbs/ft ² (136.7 kg/m ²)

Notes

Measure your actual product for rough-in details. Install this product according to the installation instructions.

KOHLER steam generator/control kit are designed for use with this product. Kohler Co. shall not be responsible for problems encountered due to the installation and use of other manufacturer's steam generators.