

Features

- Metal construction.
- Reversible quarter-turn washerless ceramic disc valves.
- For 4" (102 mm) centers.
- 6" (152 mm) threaded swing spout reach.
- Lever handles.
- Less drain.
- 2.2 gal/min (8.3 l/min) maximum flow rate [max at 60 psi (4.14 bar)].



Codes/Standards

ASME A112.18.1/CSA B125.1

KOHLER® Faucet Lifetime Limited Warranty

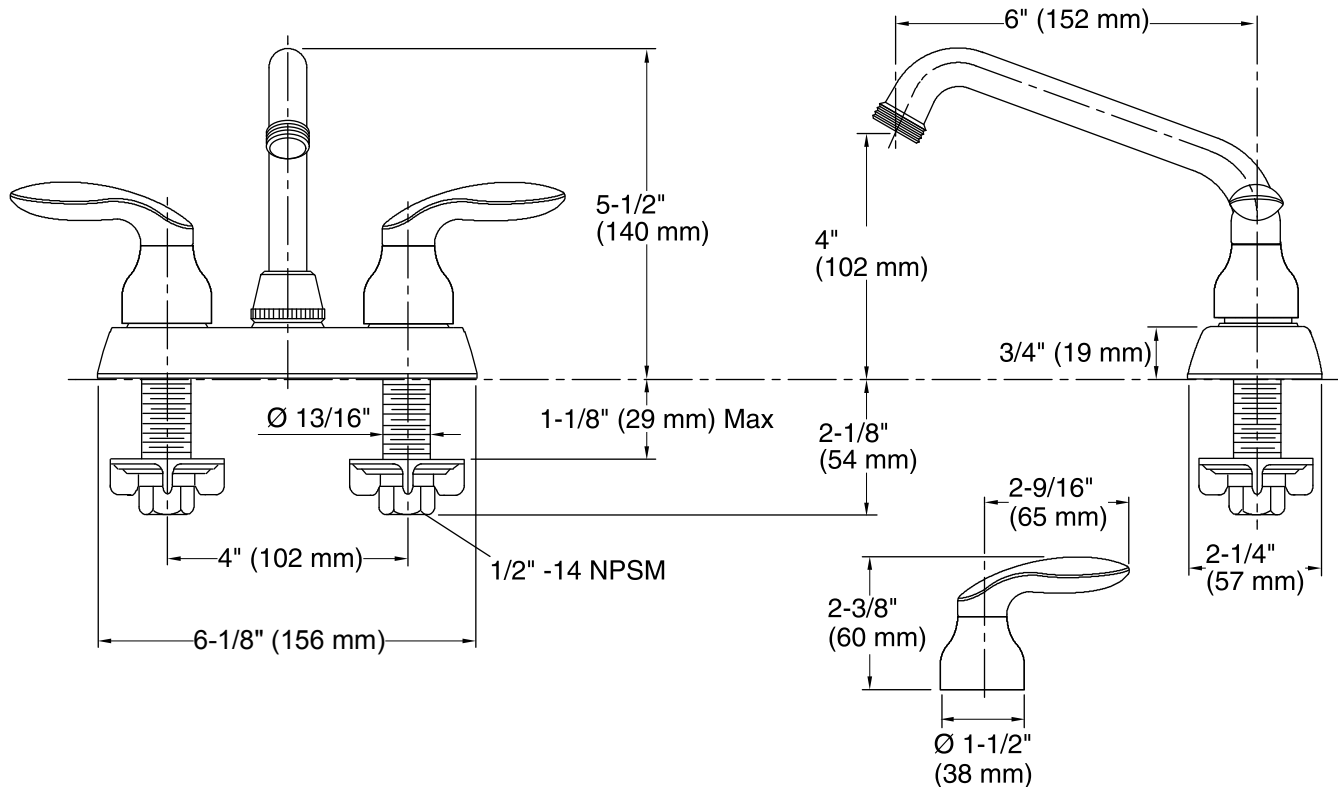
See website for detailed warranty information.

Available Colors/Finishes

Color tiles intended for reference only.

Color	Code	Description
-------	------	-------------

	CP	Polished Chrome
--	----	-----------------



Technical Information

All product dimensions are nominal.

Faucet:

Flow rate: 2.2 gal/min (8.3 l/min)

Pressure: 60 psi (4.1 bar)

Spout:

Spout reach: 6" (152 mm)

Notes

Install this product according to the installation guide.