

### Features

- Metal construction.
- Quarter-turn washerless ceramic disc valves.
- For 4" (102 mm) centers.
- 6" (152 mm) plain end swing spout reach.
- Lever handles.
- Less drain.



ADA CSA B651

### Codes/Standards

ASME A112.18.1/CSA B125.1  
NSF/ANSI 61  
NSF/ANSI 372  
All applicable US Federal and State material regulations  
DOE - Energy Policy Act 1992  
ADA  
ICC/ANSI A117.1  
CSA B651

### KOHLER® Faucet Lifetime Limited Warranty

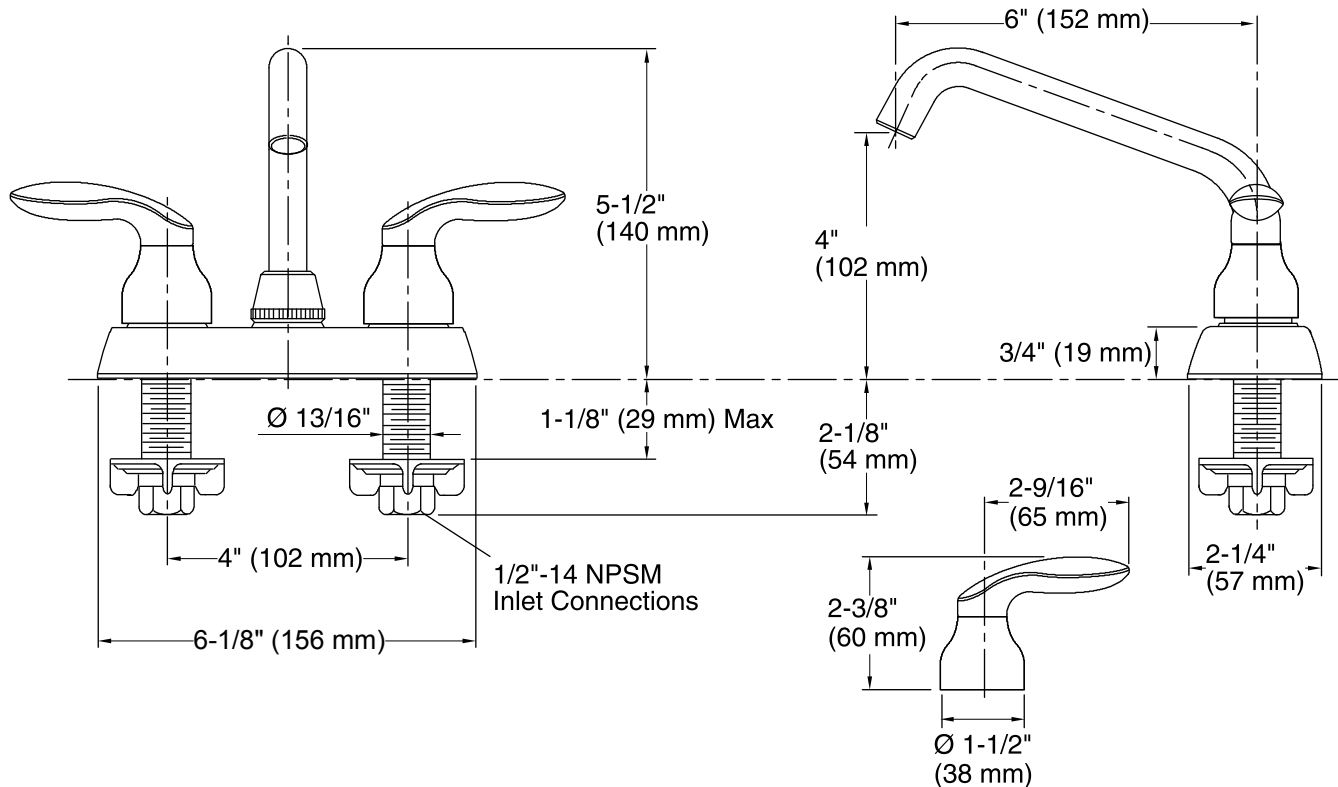
See website for detailed warranty information.

### Available Colors/Finishes

*Color tiles intended for reference only.*

Color	Code	Description
-------	------	-------------

	CP	Polished Chrome
--	----	-----------------



### Technical Information

All product dimensions are nominal.

#### Faucet:

Flow rate: 2.2 gal/min (8.3 l/min)

Pressure: 60 psi (4.1 bar)

#### Spout:

Spout reach: 6" (152 mm)

### Notes

Install this product according to the installation guide.

ADA, CSA B651 compliant when installed to the specific requirements of these regulations.